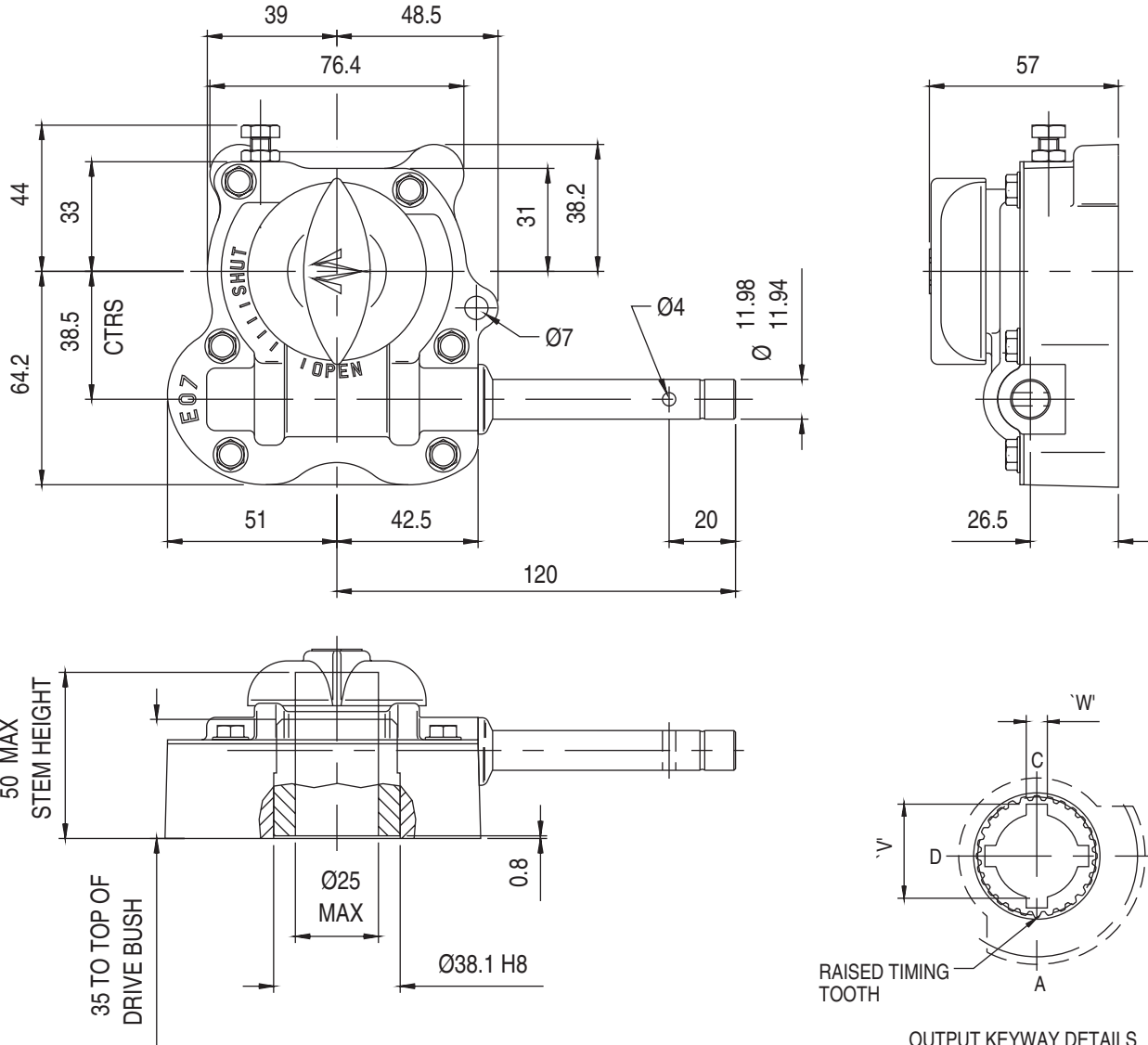


ACTUATOR TYPE - E07



OUTPUT KEYWAY DETAILS
SHOWN IN OPEN POSITION

GENERAL INFORMATION

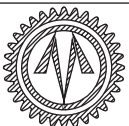
TRAVEL.....90° +/- 5° AT CLOSED END
 RATIO.....40:1
 TURNS TO CLOSE.....10

MECHANICAL ADVANTAGE.....7.0 +/- 10%
 MAXIMUM OUTPUT TORQUE.....200 Nm
 MAXIMUM INPUT TORQUE.....28.6 Nm

MOUNTING HOLE DETAIL: PREFERRED....F05 & F07
 MAXIMUM.....F07 (4 x M8 ON 70 PCD)
 MINIMUM.....F05 (4 x M6 ON 50 PCD)

APPROXIMATE WEIGHT.....1.6 Kg (excluding handwheel)

HANDWHEEL DATA	
TYPE	DIA
SR5	125



OPPERMAN MASTERGEAR

Hambridge Road, Newbury, Berkshire, RG14 5TS. ENGLAND
 Telephone: (01635) 811500 Telefax: (01635) 811501



DIMENSIONS IN	SCALE	DRAWING No.
MM	1:2	ME-15405

THIS DRAWING/DESIGN IS THE PROPERTY OF OPPERMAN MASTERGEAR LTD. AND ©
 MUST NOT BE USED OR COPIED WITHOUT THEIR SPECIFIC WRITTEN CONSENT.

REV. A
 23Oct98