

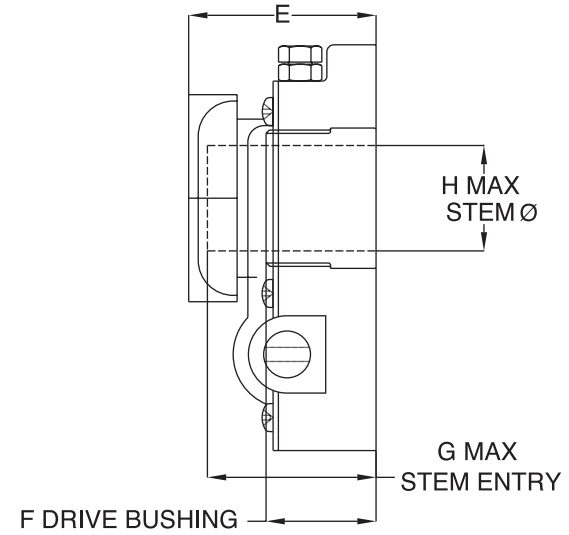
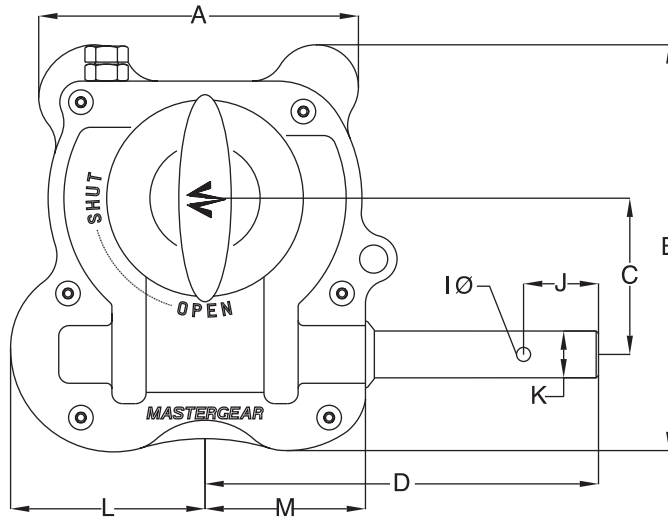


**MASTERGEAR**  
 DIVISION OF REGAL-BELOIT CORPORATION  
 5466 EAST ROCKTON RD., SOUTH BELoit, IL 61080

THIS DRAWING/DESIGN IS THE PROPERTY OF MASTERGEAR, AND MUST NOT BE USED WITHOUT THEIR SPECIFIC WRITTEN CONSENT. ©

APPROVED BY: **JRH**  
 DO NOT SCALE  
 DRAWING NO. SE071012  
 6/1/202

# SE SERIES



UNIT	MAX OUTPUT TORQUE (in-lbs)	RATIO	MECHANICAL ADVANTAGE	INPUT TORQUE (in-lbs)	RECOMMENDED HANDWHEEL	WEIGHT (lbs)
SE07	1800	40:1	7	250	CR6	4
SE10	4400	40:1	7	630	R10	8
SE12	8800	42:1	8	1100	R14,R18	15

UNIT	A	B	C	D	E	F	G	H	I	J	K	L	M
SE07	3.15	4.03	1.52	4.72	2.24	1.42	1.97	0.98	0.16	1.04	1.65	2.01	1.87
SE10	4.58	5.7	2.05	8.07	2.56	1.42	2.24	1.2	0.2	1.18	2.28	2.6	2.17
SE12	5.63	6.84	2.63	9.45	3.15	1.93	2.83	1.77	0.24	1.5	2.83	3.27	2.66

## DRIVE BUSHINGS

