

# TOP PULL DECLUTCH

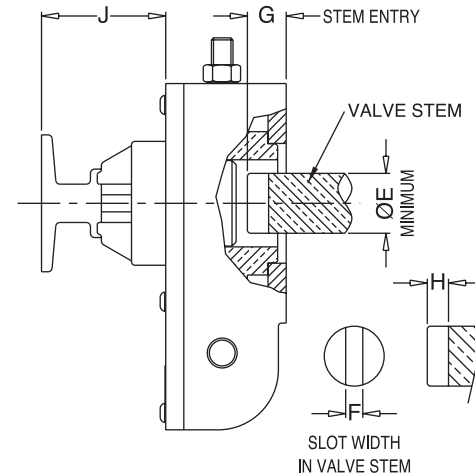
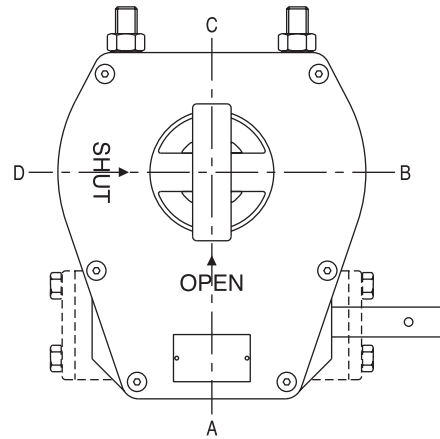
ALL DIMENSIONS IN INCHES.

QUADRANT BORE NORMALLY KEYWAYED ON  $\phi$  A-C.

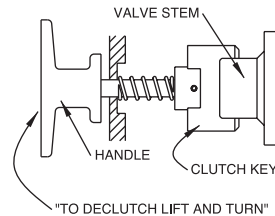
WHEN ORDERING CLEARLY STATE DECLUTCH TYPE REQUIRED.

CUSTOMER TO DETERMINE ACTUAL SLOT WIDTH 'F' FROM VALVE SHAFT SIZE AND MATERIAL.

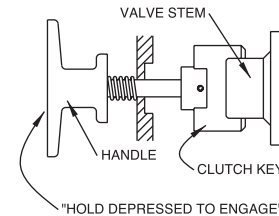
UNIT	E $\phi$ MIN.	F $\begin{smallmatrix} +0.002 \\ +0.005 \end{smallmatrix}$	G	H	J
MX	0.500	0.125	0.62	0.38	2.12
MZ/MZF	0.750	0.187	1.00	0.38	3.12
MV/MVF	1.000	0.250	1.12	0.50	2.62
MY/MYF	1.250	0.312	1.12	0.50	2.62
MA/MAF	1.500	0.375	1.12	0.50	3.75
MB/MBF	1.750	0.500	1.25	0.62	3.75
MC/MCF	2.000	0.500	1.25	0.62	3.75
MDF	2.250	0.625	1.50	0.75	3.75
MFF	2.250	0.625	1.50	0.75	3.75
MGF	2.750	0.750	1.75	0.75	7.00
MJF	3.000	0.750	1.75	0.75	7.00
MLF	3.750	1.000	2.25	1.50	7.00
MPF	4.500	1.250	2.50	1.50	7.00
MTF	5.250	1.500	3.00	1.50	7.50
M83	6.000	1.500	3.00	1.50	7.50



TYPE: P  
SCHEMATIC REPRESENTATION  
CLUTCH KEY SHOWN ENGAGED



TYPE: Q  
SCHEMATIC REPRESENTATION  
CLUTCH KEY SHOWN ENGAGED



**MASTERGEAR**

DIVISION OF REGAL-BELOIT CORPORATION  
5466 EAST ROCKTON RD. · SOUTH BELOIT, IL 61080

THIS DRAWING/DESIGN IS  
THE PROPERTY OF  
MASTERGEAR, AND MUST  
NOT BE USED WITHOUT  
THEIR SPECIFIC WRITTEN  
CONSENT. ©

DO  
NOT  
SCALE  
APPROVED BY  
JRH

DRAWING  
No.  
MU 7056  
REV. A  
6/3/98