

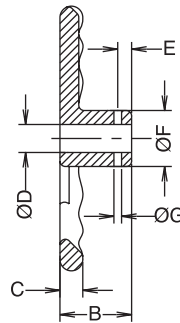
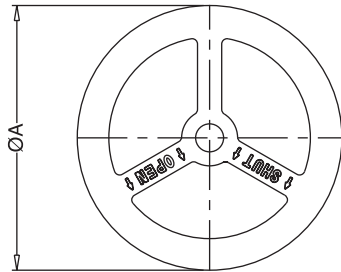


MASTERGEAR

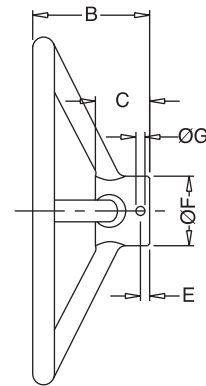
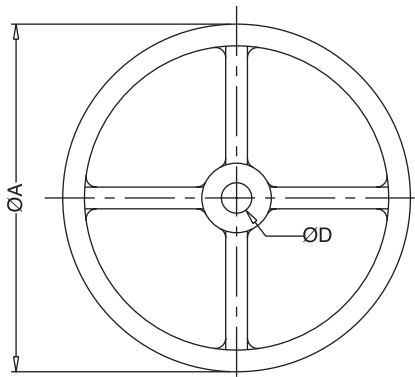
DIVISION OF REGAL-BELOIT CORPORATION
5486 EAST ROCKTON RD. · SOUTH BELOIT, IL 61080

HANDWHEELS

TYPE: CAST IRON
CR6, CR9



TYPE: TUBULAR STEEL
R8, R10, R12, R14, R18,
R24, R30, & R36



DIMENSIONS IN: INCHES

TYPE	ØA	B	C	ØD	E	ØF	ØG
CR6	6.00	1.60	0.51	0.625	0.31	1.25	0.1875
CR9	9.00	1.25	0.76	0.625 0.750	0.31	1.50	0.1875 0.250
R8	8.00	2.63	1.25	0.625 0.875 1.000	0.25	1.50	0.1875 0.250 0.250
R10	10.00	3.37	1.56	0.625 0.875 1.000	0.31	2.00	0.1875 0.250 0.250
R12	12.00	3.75	1.56	0.625 0.875 1.000	0.31	2.00	0.1875 0.250 0.250
R14	14.00	4.37	1.56	0.625 0.875 1.000	0.31	2.00	0.1875 0.250 0.250
R18	18.00	5.25	2.25	0.875 1.000 1.250	0.31	2.50	0.250 0.250 0.250
R24	24.00	6.50	2.25	0.875 1.000 1.250	0.31	2.50	0.250 0.250 0.250
R30	30.00	8.00	2.38	0.875 1.000 1.250	0.31	3.00	0.250 0.250 0.250
R36	36.00	9.00	2.38	0.875 1.000 1.250	0.31	3.00	0.250 0.250 0.250

THIS DRAWING/DESIGN IS
THE PROPERTY OF
MASTERGEAR, AND MUST
NOT BE USED WITHOUT
THEIR SPECIFIC WRITTEN
CONSENT. ©

DO NOT SCALE
APPROVED BY
JRH

DRAWING No.
MU 7053
REV. C
6/3/02

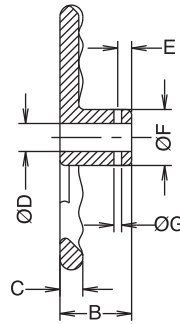
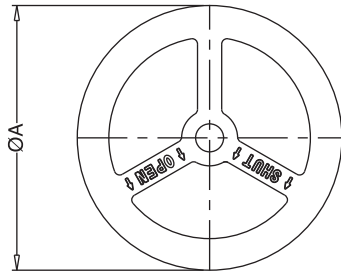


MASTEGEAR

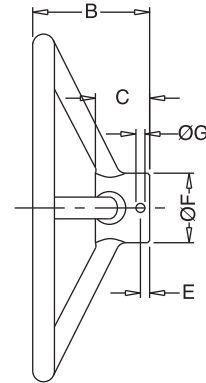
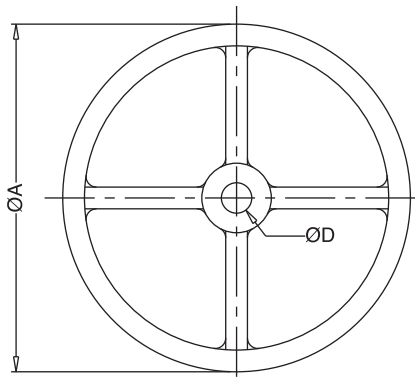
DIVISION OF REGAL-BELOIT CORPORATION
5486 EAST ROCKTON RD. · SOUTH BELOIT, IL 61080

METRIC BORE HANDWHEELS

TYPE: CAST IRON
CR6, CR9



TYPE: TUBULAR STEEL
R10, R12, R14, R18,
R24, R30, & R36



TYPE	ØA	B	C	ØD	E	ØF	ØG
CR6	6.00	1.60	0.51	0.472	0.31	1.25	0.161
CR9	9.00	1.25	0.76	0.591	0.31	1.50	0.197
R10	10.00	3.37	1.56	0.591 0.788	0.58 0.31	2.00	0.197 0.236
R12	12.00	3.75	1.56	0.591 0.788	0.58 0.31	2.00	0.197 0.236
R14	14.00	4.37	1.56	0.788	0.31	2.00	0.236
R18	18.00	5.25	2.25	0.788 1.181	1.000 0.480	2.50	0.236 0.315
R24	24.00	6.50	2.25	0.788 1.181	1.000 0.480	2.50	0.236 0.315
R30	30.00	8.00	2.38	1.181	0.61	3.00	0.315
R36	36.00	9.00	2.38	1.181	0.61	3.00	0.315

DIMENSIONS IN: INCHES

THIS DRAWING/DESIGN IS
THE PROPERTY OF
MASTERGEAR, AND MUST
NOT BE USED WITHOUT
THEIR SPECIFIC WRITTEN
CONSENT. ©

DO NOT SCALE
APPROVED BY
JRH
DRAWING No. MU 7053
PAGE 2
REV/C 6/3/02