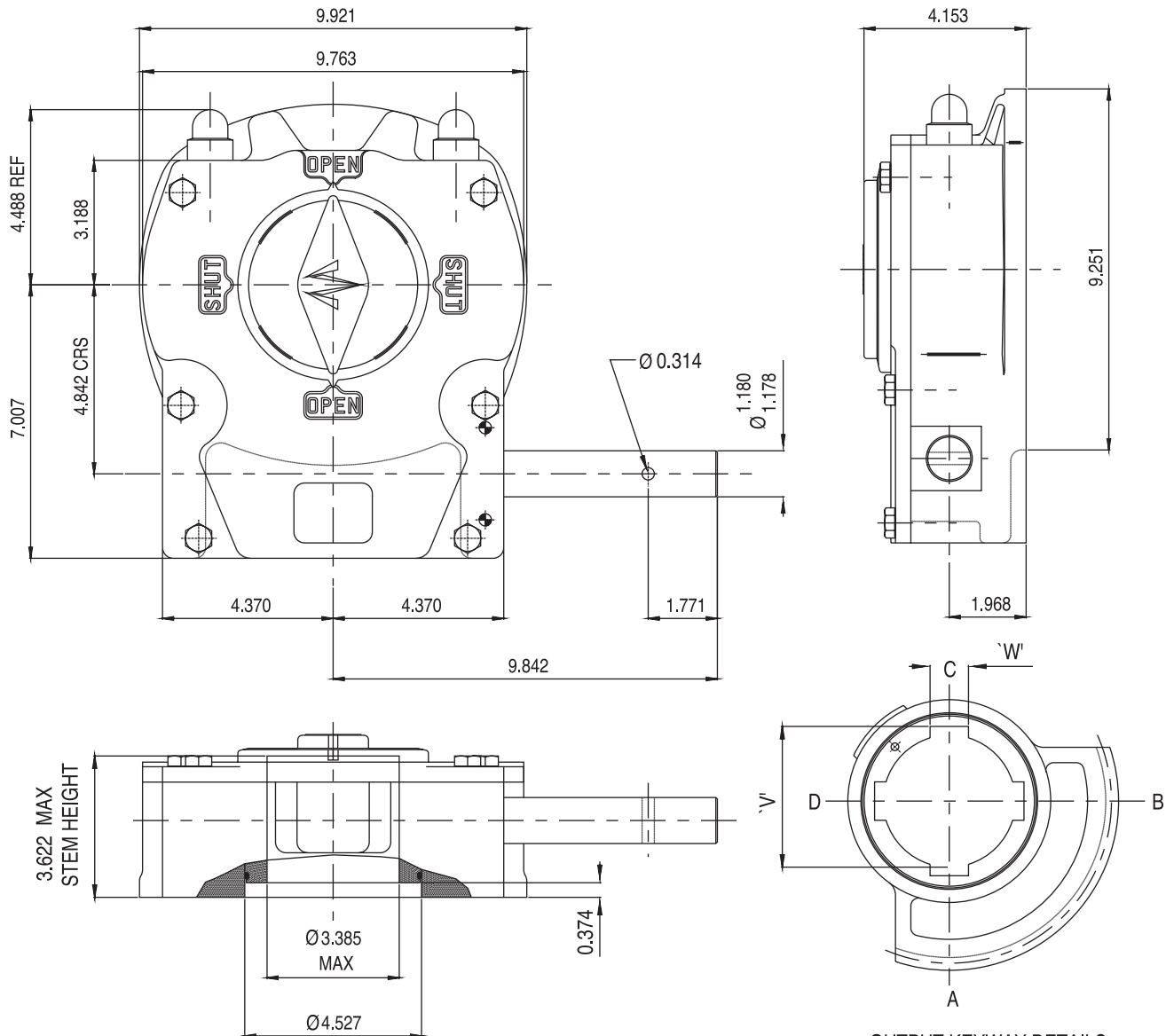


# ACTUATOR TYPE - M15



## GENERAL INFORMATION

TRAVEL..... $90^{\circ} \pm 5^{\circ}$  AT BOTH ENDS  
 RATIO.....68:1  
 TURNS TO CLOSE.....17

MECHANICAL ADVANTAGE..... $20.5 \pm 10\%$   
 MAXIMUM OUTPUT TORQUE.....29,920 IN-LBS  
 MAXIMUM INPUT TORQUE.....1461 IN-LBS

MOUNTING HOLE DETAIL: PREFERRED....FA16 (4 x 3/4-10 ON 6.50 BCD)  
 MAXIMUM.....FA16 (4 x 3/4-10 ON 6.50 BCD)  
 MINIMUM.....FA14 (4 x 5/8-11 ON 5.50 BCD)

APPROXIMATE WEIGHT.....60 LBS (27.2 Kg) (excluding handwheel)

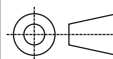
## OUTPUT KEYWAY DETAILS SHOWN IN OPEN POSITION

HANDWHEEL DATA	
$\varnothing$	RIM PULL AT MAX TORQUE
R18	162 LBS
R24	122 LBS
R30	97 LBS
R36	81 LBS



**MASTERGEAR**

DIVISION OF REGAL-BELOIT CORPORATION  
 5466 EAST ROCKTON RD. SOUTH BELOIT, IL 61080



DIMENSIONS  
IN  
INCH

SCALE  
1:1

DRAWING  
No.  
M15

THIS DRAWING/DESIGN IS THE PROPERTY OF MASTERGEAR AND MUST NOT BE USED OR COPIED WITHOUT THEIR SPECIFIC WRITTEN CONSENT. ©

JRH

REV. A  
5/13/02