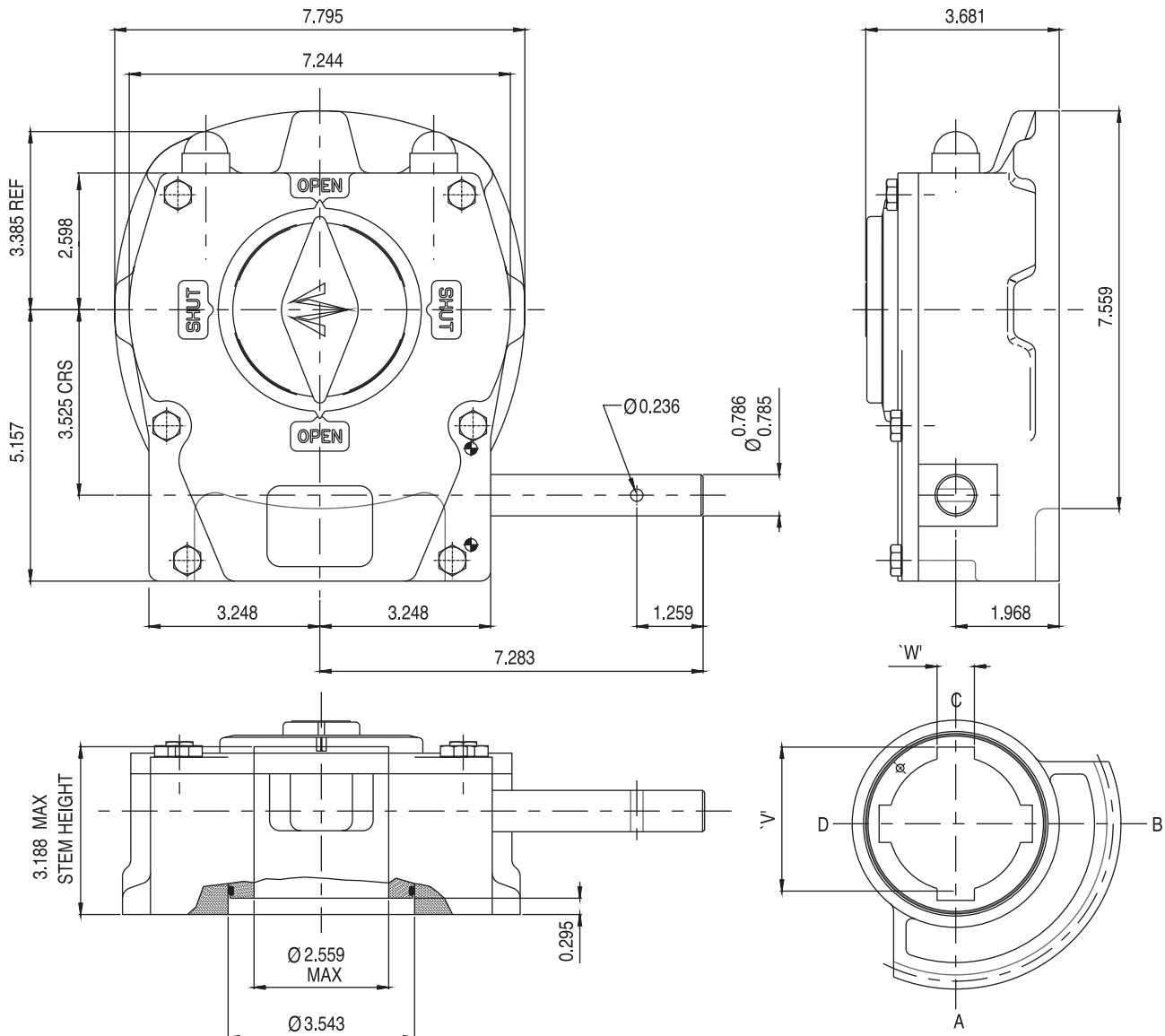


ACTUATOR TYPE - M14



GENERAL INFORMATION

TRAVEL.....90° ±5° AT BOTH ENDS
 RATIO.....60:1
 TURNS TO CLOSE.....15

MECHANICAL ADVANTAGE.....16.2 ±10%
 MAXIMUM OUTPUT TORQUE.....15840 IN-LBS
 MAXIMUM INPUT TORQUE.....977 IN-LBS

MOUNTING HOLE DETAIL: PREFERRED....FA14 (4 x 5/8-11 ON 5.50 BCD)
 MAXIMUM.....FA16 (4 x 3/4-10 ON 6.50 BCD)
 MINIMUM.....FA12 (4 x 1/2-13 ON 4.95 BCD)

APPROXIMATE WEIGHT..... 32 LBS(14.5 Kg) (excluding handwheel)

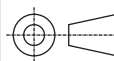
OUTPUT KEYWAY DETAILS
 SHOWN IN OPEN POSITION

HANDWHEEL DATA	
Ø	RIM PULL AT MAX TORQUE
R10	195 LBS
R12	163 LBS
R14	140 LBS
R18	109 LBS
R24	81 LBS



MASTERGEAR

DIVISION OF REGAL-BELOIT CORPORATION
 5466 EAST ROCKTON RD. SOUTH BELOIT, IL 61080



DIMENSIONS IN	SCALE	DRAWING No.
INCH	1:1	M14

THIS DRAWING/DESIGN IS THE PROPERTY OF MASTERGEAR AND MUST NOT BE USED OR COPIED WITHOUT THEIR SPECIFIC WRITTEN CONSENT. ©

JRH

REV. A
 5/13/02