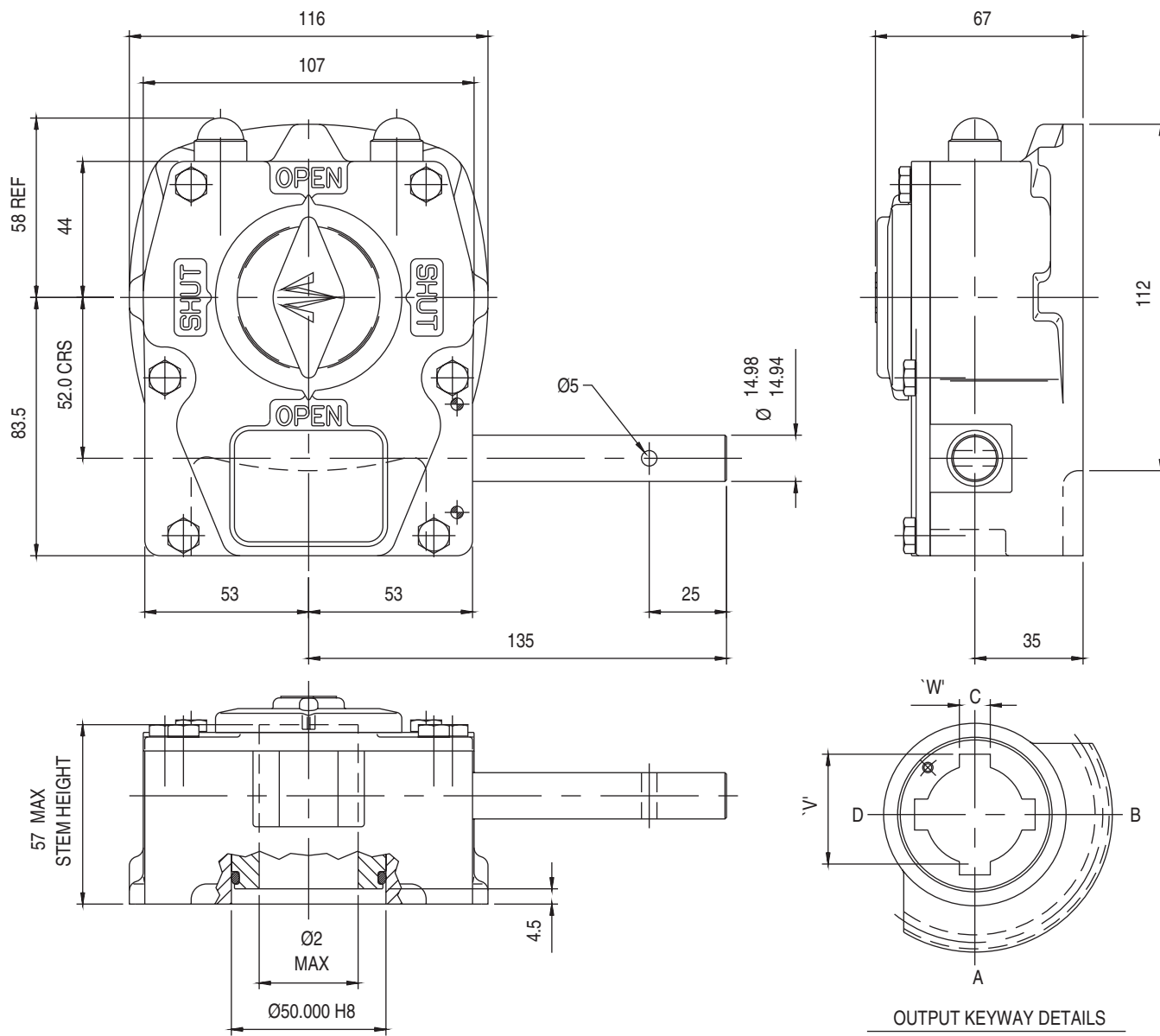


ACTUATOR TYPE - M10



GENERAL INFORMATION

TRAVEL.....90° +/- 5° AT BOTH ENDS
 RATIO.....40:1
 TURNS TO CLOSE.....10

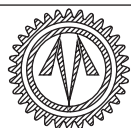
MECHANICAL ADVANTAGE.....11.0 +/- 10%
 MAXIMUM OUTPUT TORQUE.....500 Nm
 MAXIMUM INPUT TORQUE.....45.5 Nm

MOUNTING HOLE DETAIL: PREFERRED....F10 (4 x M10 ON 102 PCD)
 MAXIMUM.....F10
 MINIMUM.....F07 (4 x M8 ON 70 PCD)

APPROXIMATE WEIGHT.....4.2 Kg (excluding handwheel)

OUTPUT KEYWAY DETAILS
 SHOWN IN OPEN POSITION

HANDWHEEL DATA	
TYPE	DIA
SR5	125
SR8	200
SR10	250
SR12	300



OPPERMAN MASTERGEAR

Hambridge Road, Newbury, Berkshire, RG14 5TS. ENGLAND
 Telephone: (01635) 811500 Telefax: (01635) 811501



DIMENSIONS IN	SCALE	DRAWING No.
MM	1:2	ME-15301

THIS DRAWING/DESIGN IS THE PROPERTY OF OPPERMAN MASTERGEAR LTD. AND ©
 MUST NOT BE USED OR COPIED WITHOUT THEIR SPECIFIC WRITTEN CONSENT.

REV. C
 21SEP94