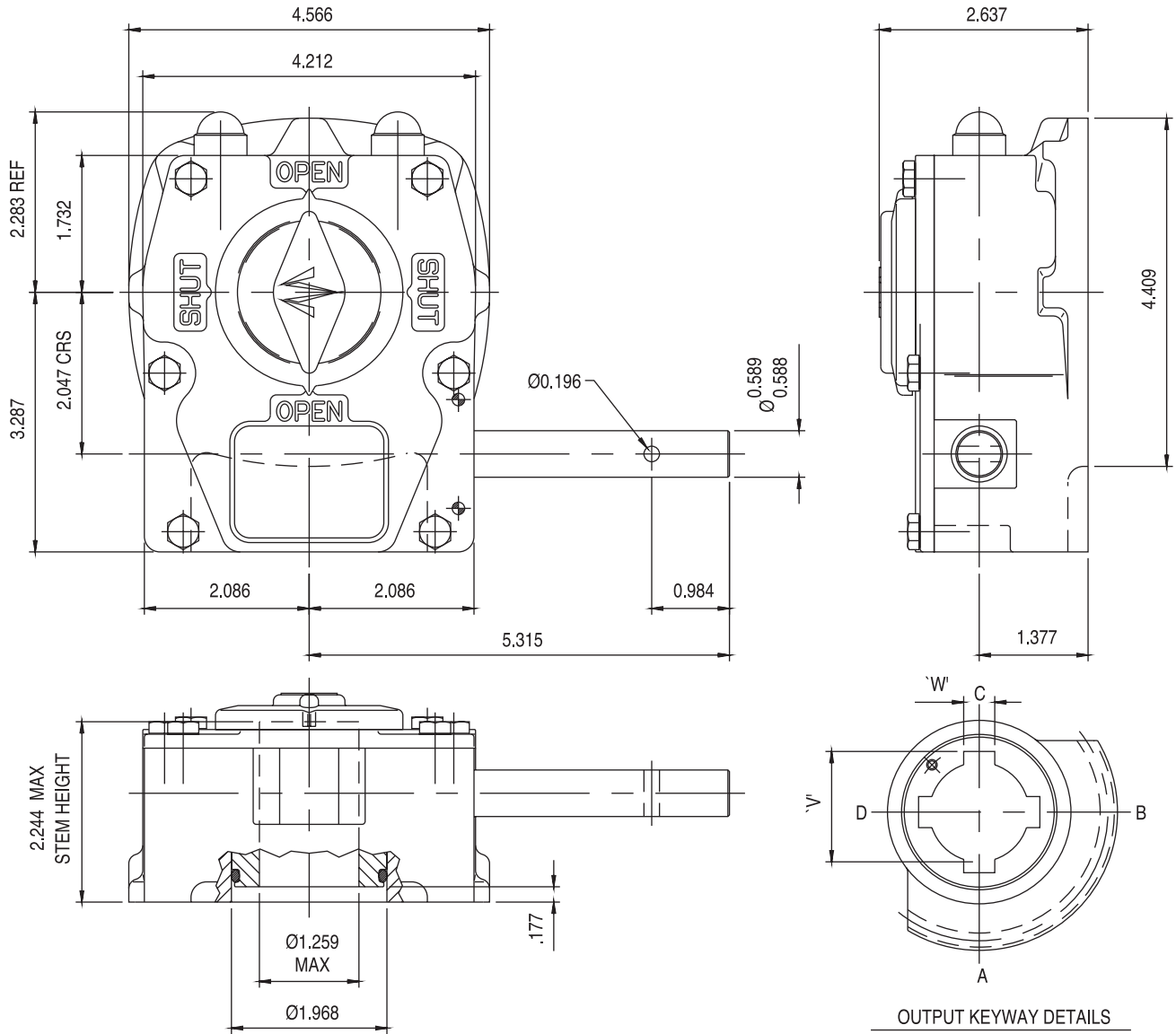


ACTUATOR TYPE - M10



GENERAL INFORMATION

TRAVEL..... $90^\circ \pm 5^\circ$ AT BOTH ENDS
 RATIO.....40:1
 TURNS TO CLOSE.....10

MECHANICAL ADVANTAGE.....11.0 $\pm 10\%$
 MAXIMUM OUTPUT TORQUE.....4400 IN-LBS
 MAXIMUM INPUT TORQUE.....400 IN-LBS

MOUNTING HOLE DETAIL: PREFERRED....FA10 (4 x 3/8-16 ON 4.00" BCD)
 MAXIMUM.....FA10 (4 X 3/8-16 ON 4.00" BCD)
 MINIMUM.....FA07 (4 x 5/16-18 ON 2.75 BCD)

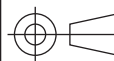
APPROXIMATE WEIGHT.....9.24 LB (4.2 KG) (excluding handwheel)

HANDWHEEL DATA	
\varnothing	RIM PULL AT MAX. TORQUE
CR6	133 LB
R10	80 LB
R12	67 LB



MASTERGEAR

DIVISION OF REGAL-BELOIT CORPORATION
 5466 EAST ROCKTON RD. SOUTH BELOIT, IL 61080



DIMENSIONS IN	SCALE	DRAWING No.
INCH	1:2	M10

THIS DRAWING/DESIGN IS THE PROPERTY OF MASTERGEAR AND MUST NOT BE USED OR COPIED WITHOUT THEIR SPECIFIC WRITTEN CONSENT.

JRH

REV. A
 5/13/02