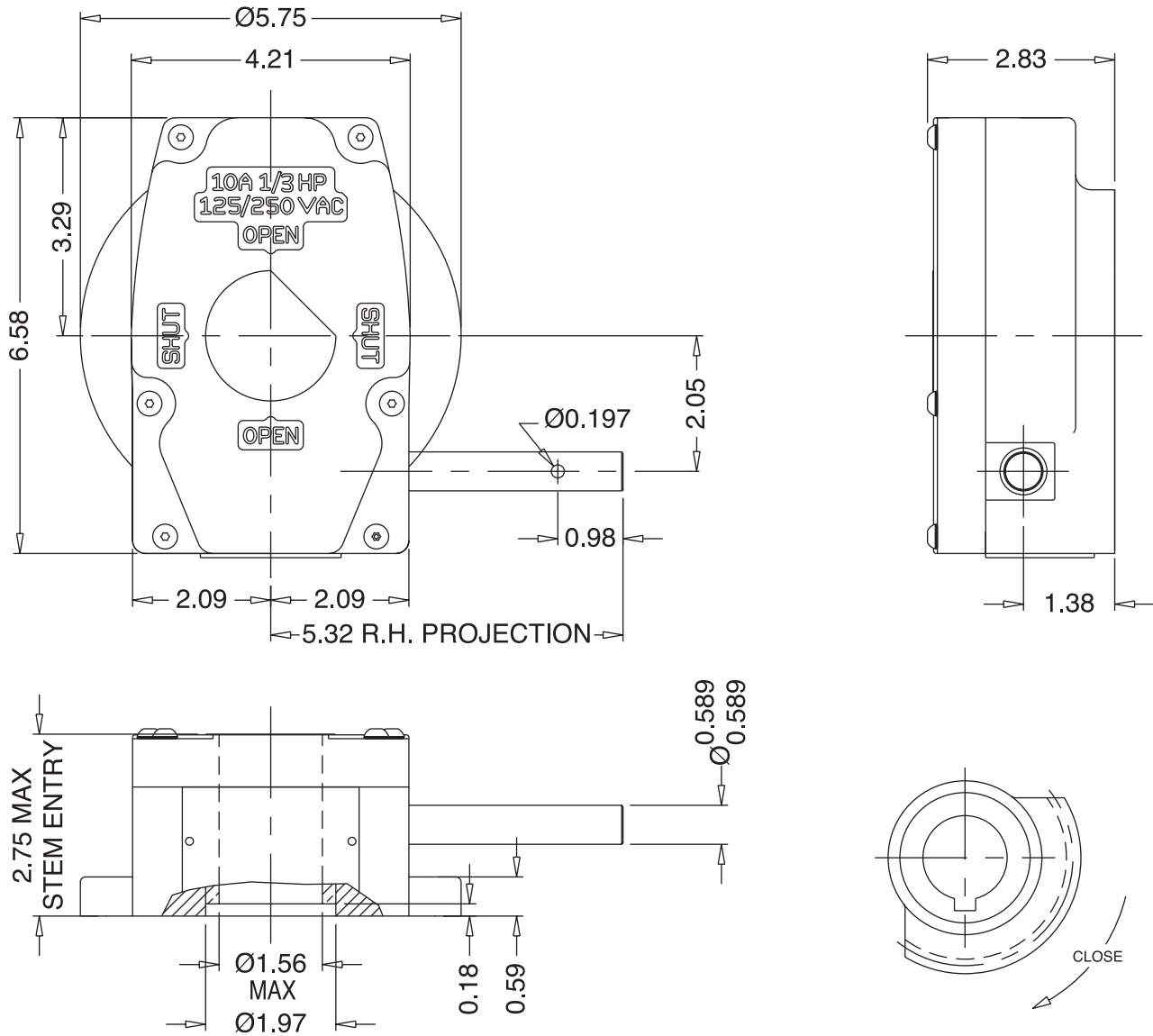


ACTUATOR TYPE - FP10



GENERAL INFORMATION

TRAVEL..... $90^\circ \pm 5^\circ$ AT BOTH ENDS
 RATIO.....40:1
 TURNS TO CLOSE.....10

MECHANICAL ADVANTAGE.....11.0% \pm 10%
 MAXIMUM OUTPUT TORQUE.....5500 IN-LBS
 MAXIMUM INPUT TORQUE.....500 IN-LBS

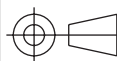
MOUNTING HOLE DETAIL: PREFERRED BOLT CIRCLE STRADDLING \varnothing
 MAXIMUM BOLT CIRCLE STRADDLING \varnothing
 MAXIMUM BOLT CIRCLE ON \varnothing
 MINIMUM BOLT CIRCLE

APPROXIMATE WEIGHT.....12.5 LBS (5.7 KG)



MASTERGEAR

DIVISION OF REGAL-BELOIT CORPORATION
 5466 EAST ROCKTON RD. SOUTH BELOIT, IL 61080



DIMENSIONS
IN

DO
NOT
SCALE

DRAWING
No.
MU 8011

THIS DRAWING/DESIGN IS THE PROPERTY OF MASTERGEAR AND MUST ©
 NOT BE USED OR COPIED WITHOUT THEIR SPECIFIC WRITTEN CONSENT.

APPROVED BY
JRH