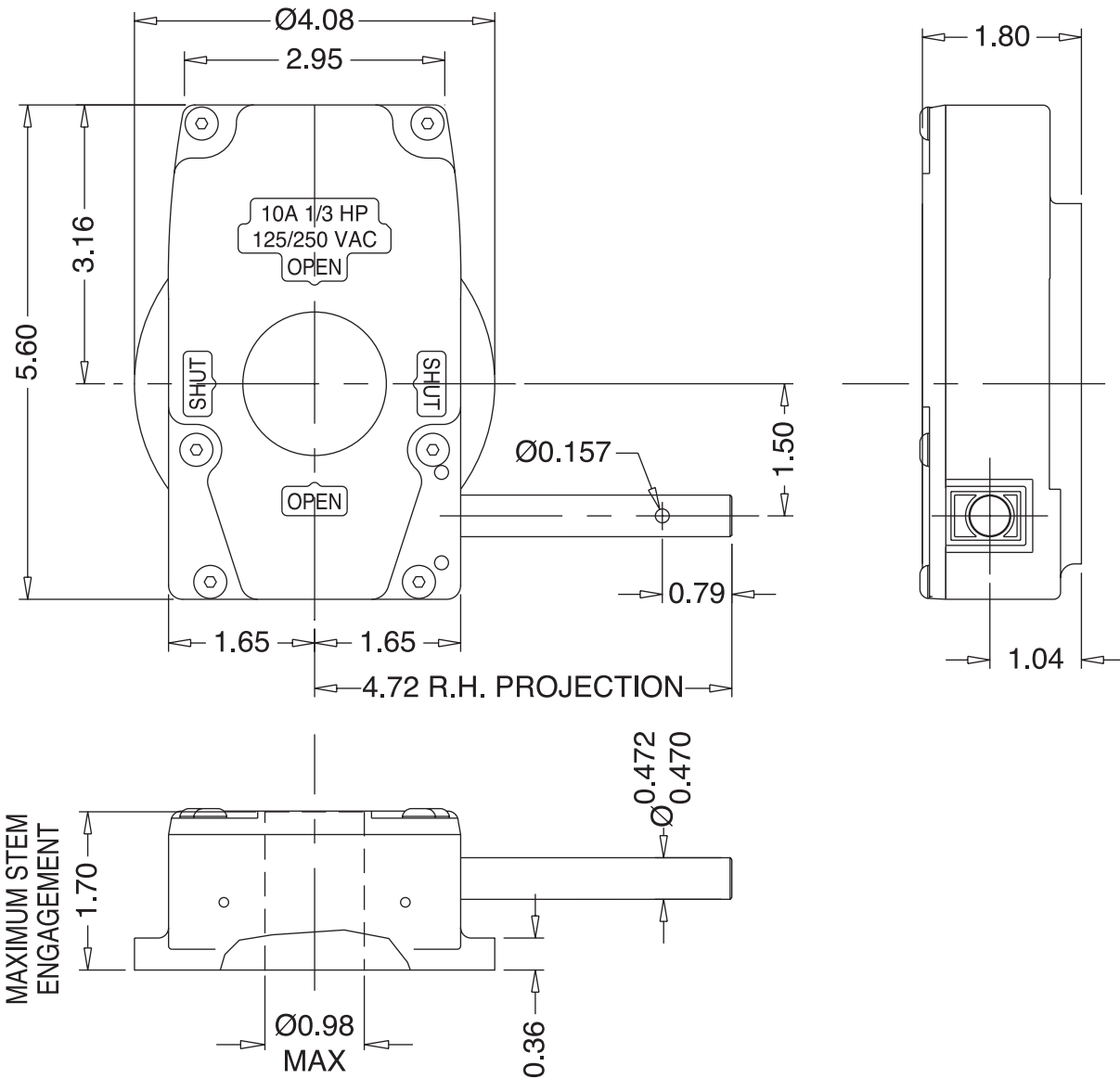


ACTUATOR TYPE - FP07



GENERAL INFORMATION

TRAVEL..... $90^\circ \pm 5^\circ$ AT BOTH ENDS
 RATIO..... 40:1
 TURNS TO CLOSE..... 10

MECHANICAL ADVANTAGE..... $11.0 \pm 10\%$
 MAXIMUM OUTPUT TORQUE..... 2600 IN-LBS
 MAXIMUM INPUT TORQUE..... 236 IN-LBS

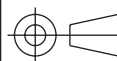
MOUNTING HOLE DETAIL: PREFERRED BOLT CIRCLE STRADDLING \varnothing 3.25"
 MAXIMUM BOLT CIRCLE STRADDLING \varnothing 3.50"
 MAXIMUM BOLT CIRCLE ON \varnothing 3.50"
 MINIMUM BOLT CIRCLE 2.375"

APPROXIMATE WEIGHT..... 7.0 LBS (3.2 KG)



MASTERGEAR

DIVISION OF REGAL-BELOIT CORPORATION
 5466 EAST ROCKTON RD. SOUTH BELOIT, IL 61080



DIMENSIONS
IN

DO
NOT
SCALE

DRAWING
No.

MU 8010

THIS DRAWING/DESIGN IS THE PROPERTY OF MASTERGEAR AND MUST ©
 NOT BE USED OR COPIED WITHOUT THEIR SPECIFIC WRITTEN CONSENT.

APPROVED BY
JRH