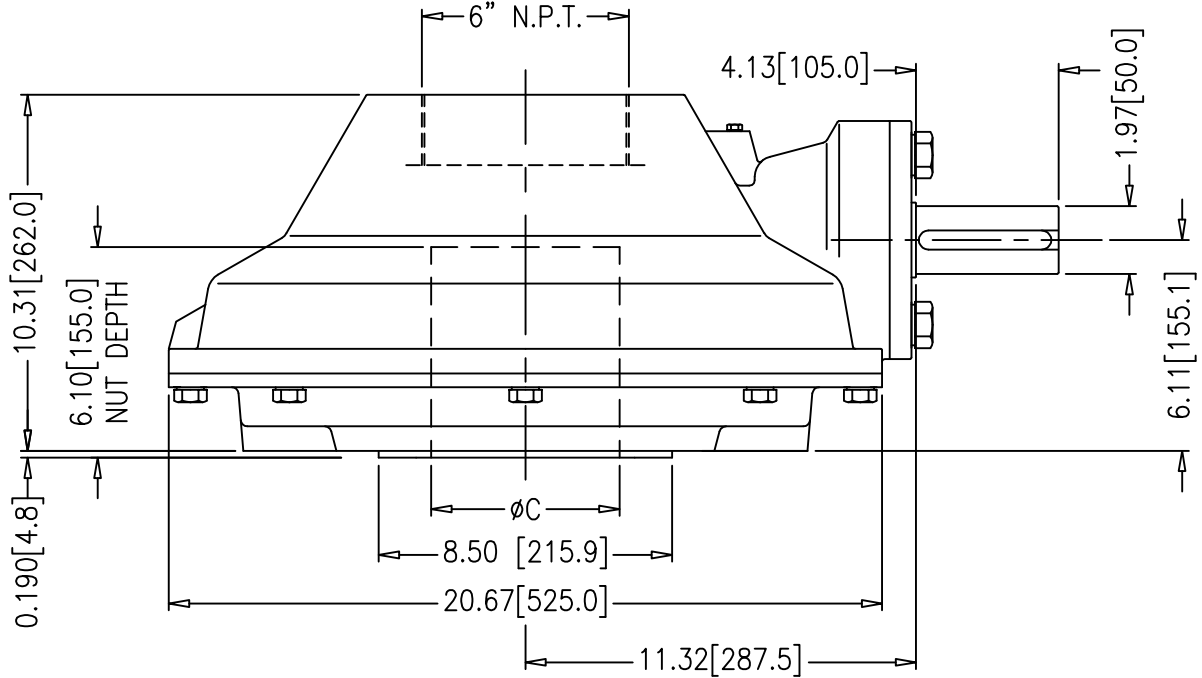
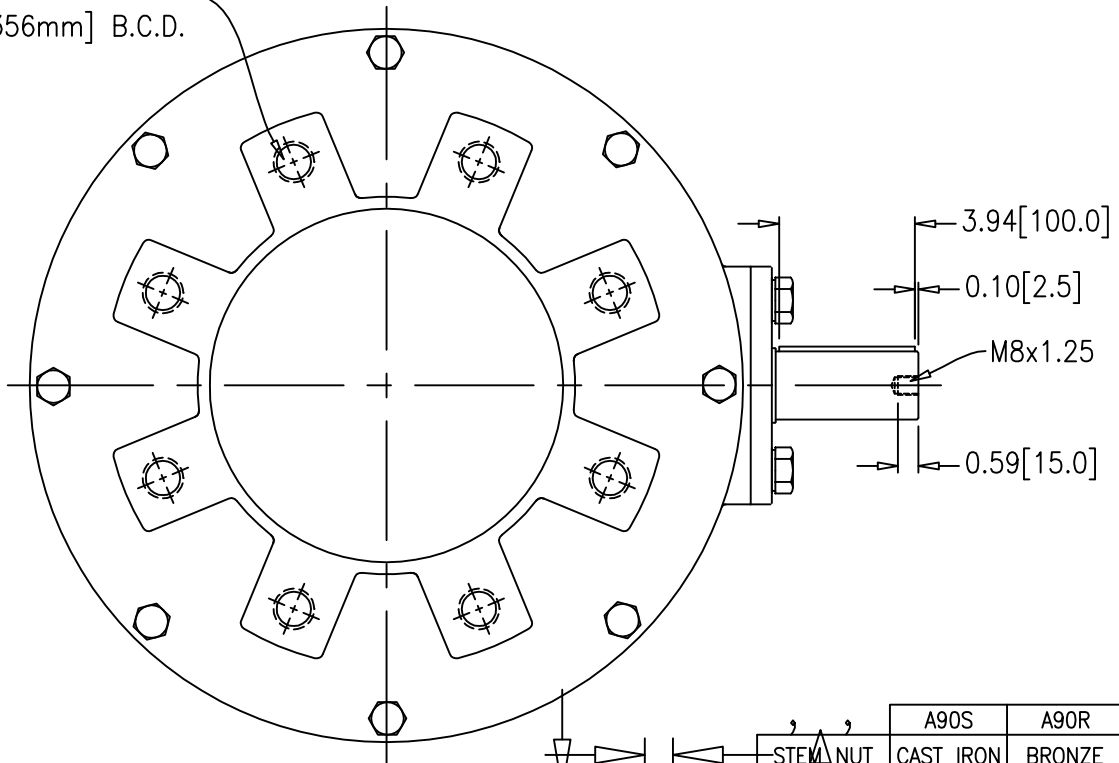


A90 BEVEL GEAR MSS

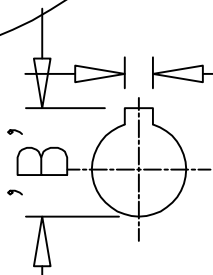


1-8 TAP~ 8 HOLES
ON A 14.00 [356mm] B.C.D.



NOTES:

1. TORQUE: 6,400 ft-lbs
2. MECHANICAL ADVANTAGE: 4.26
3. RATIO: 5:1
4. DIMENSIONS: IN [MM]



	A90S	A90R
STEM NUT	CAST IRON	BRONZE
THRUST	-	202,000 lbs
'A' MAX	1.77	-
'B' MAX	7.89	-
φ 'C' MAX	7.48	4.80



MASTERGEAR
DIVISION OF REGAL-BELOIT CORPORATION

THIS PRINT IS CONFIDENTIAL AND IS THE PROPERTY OF MASTERGEAR. IT SHALL NOT BE USED, COPIED OR REPRODUCED IN WHOLE OR IN PART NOR SHALL THE CONTENTS BE REVEALED IN ANY MANNER TO ANYONE UNLESS WRITTEN PERMISSION IS OBTAINED FROM MASTERGEAR. ©

DO NOT SCALE	DRAWING No. A90MSS
APPROVED BY JRH	REV. C 7/17/09