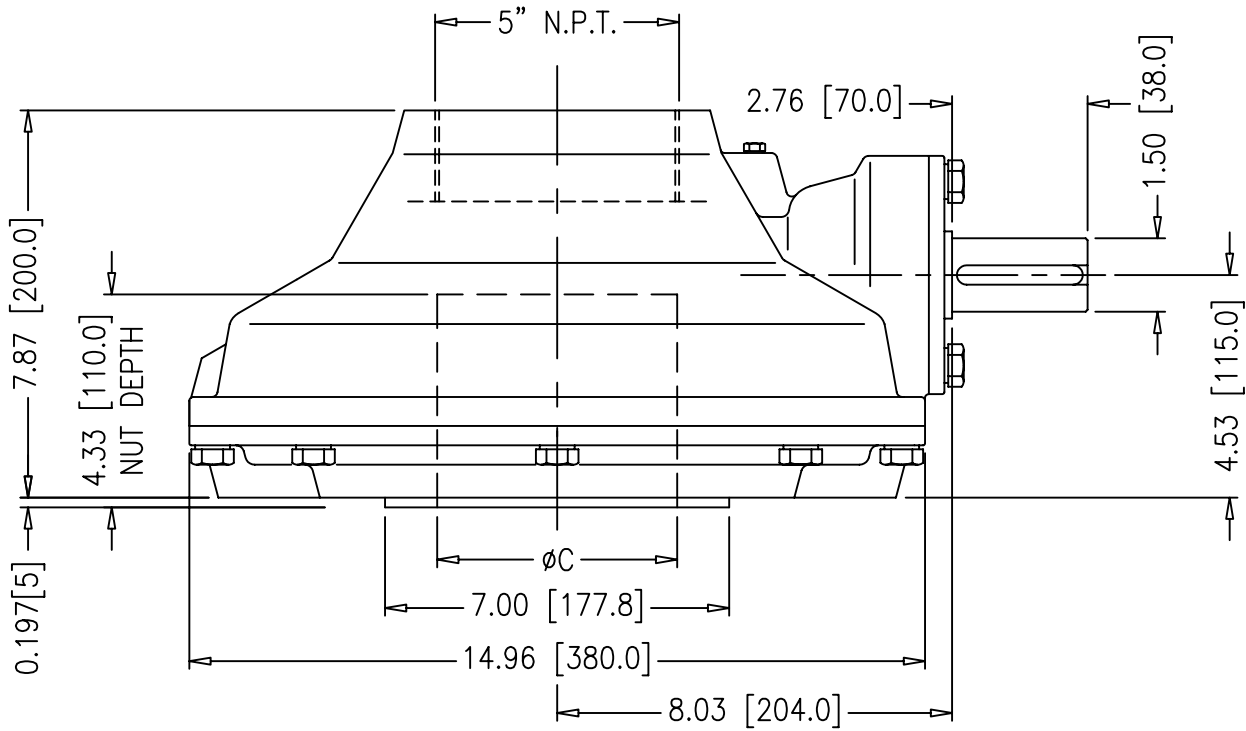
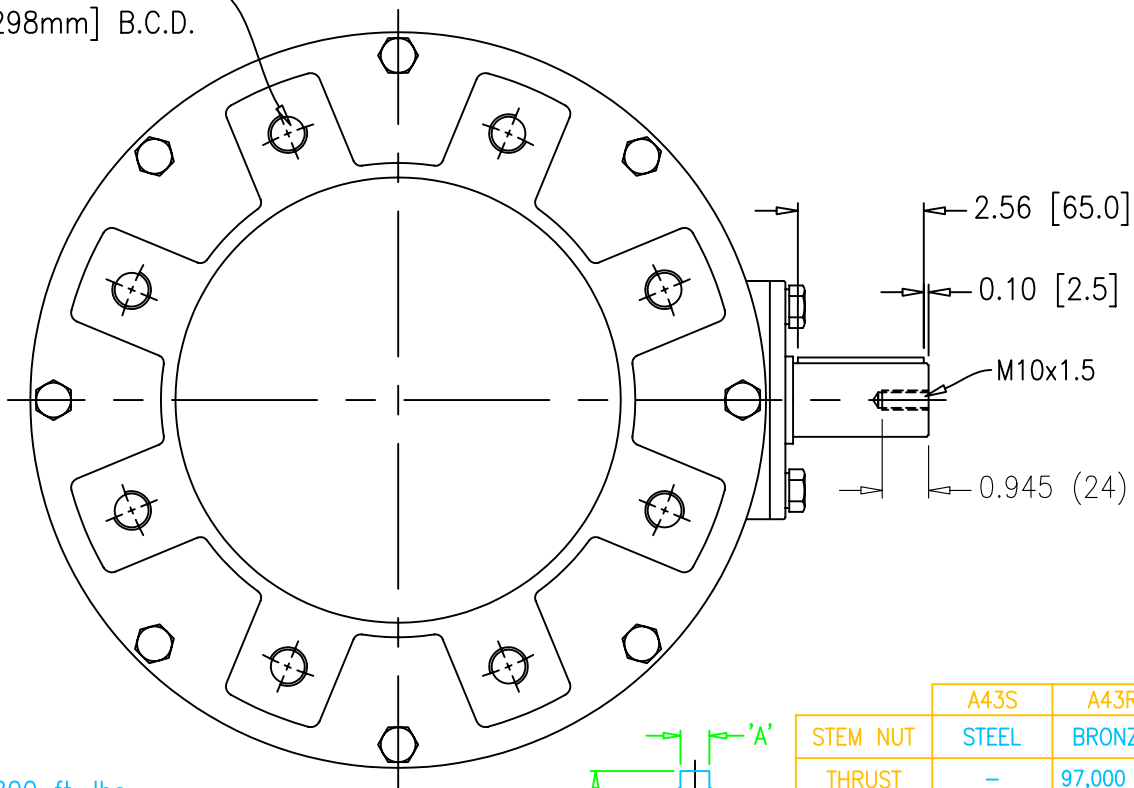


A43 BEVEL GEAR MSS



3/4-10 TAP ~ 8 HOLES
ON 11.75 [298mm] B.C.D.



NOTES:

1. TORQUE: 2,800 ft-lbs
2. MECHANICAL ADVANTAGE: 3.83
3. RATIO: 4.5:1
4. DIMENSIONS: IN [MM]

	A43S	A43R
STEM NUT	STEEL	BRONZE
THRUST	-	97,000 lbs
'A' MAX	1.42	-
'B' MAX	5.53	-
ϕ 'C' MAX	5.20	4.02



MASTERGEAR

DIVISION OF REGAL-BELOIT CORPORATION
5466 EAST ROCKTON RD. · SOUTH BELOIT, IL 61080

THIS DRAWING/DESIGN IS
THE PROPERTY OF
MASTERGEAR. AND MUST
NOT BE USED WITHOUT
THEIR SPECIFIC WRITTEN
CONSENT. ©

DO
NOT
SCALE

APPROVED BY
JRH

DRAWING
No.
A43MSS

REV. A
12/14/01