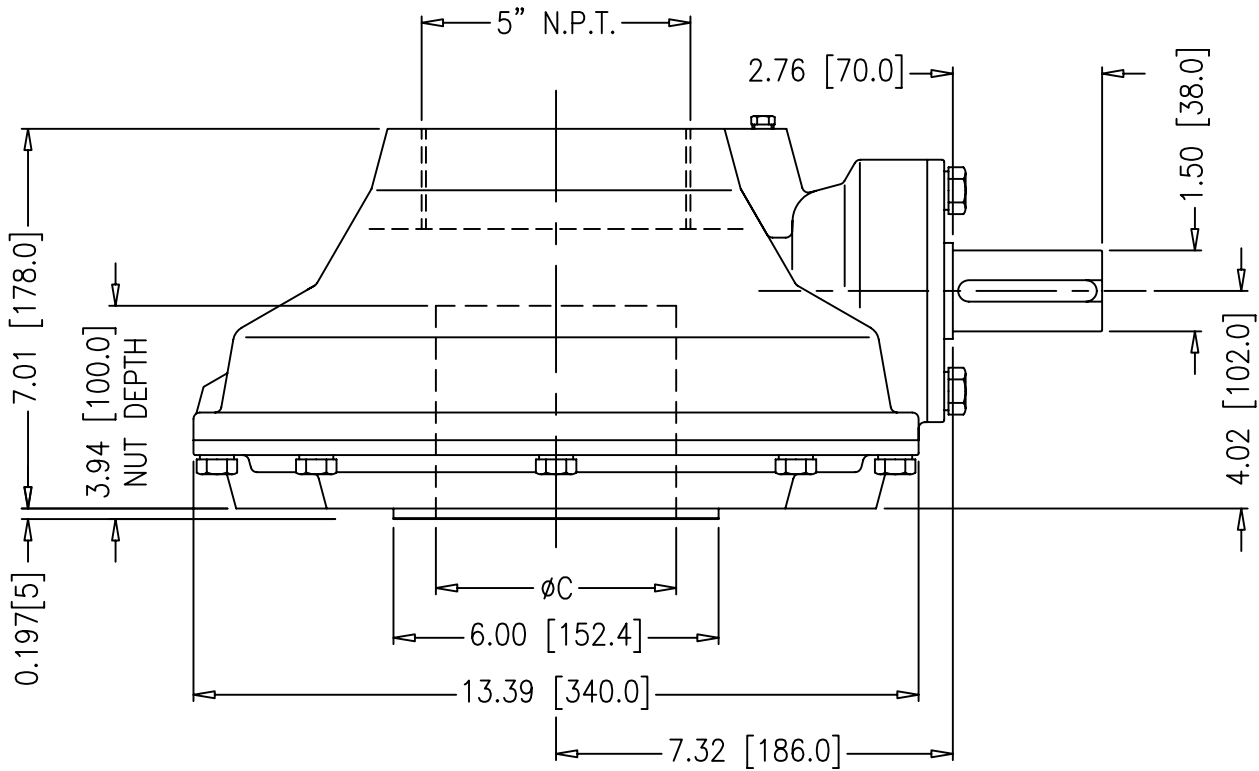
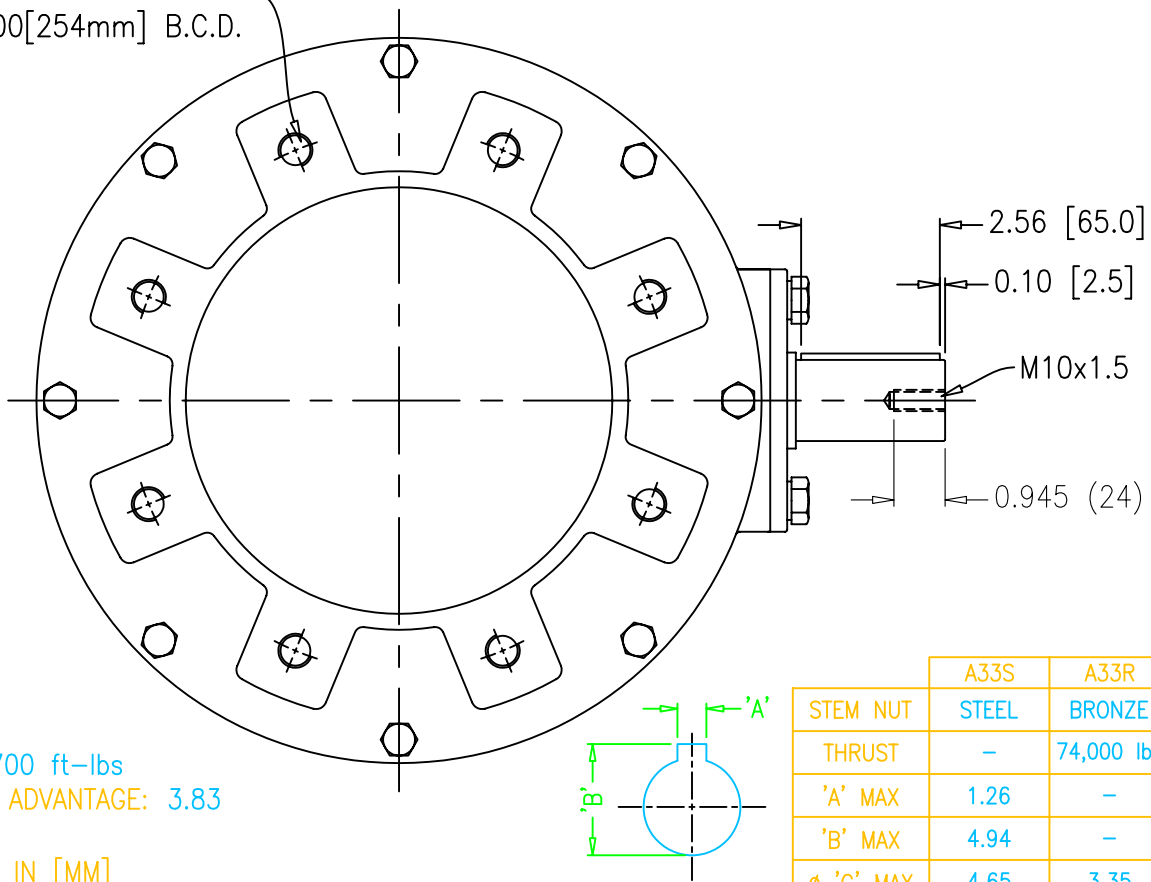


A33 BEVEL GEAR MSS



5/8-11 TAP ~ 8 HOLES
ON A 10.00 [254mm] B.C.D.



NOTES:

1. TORQUE: 1,700 ft-lbs
2. MECHANICAL ADVANTAGE: 3.83
3. RATIO: 4.5:1
4. DIMENSIONS: IN [MM]

	A33S	A33R
STEM NUT	STEEL	BRONZE
THRUST	-	74,000 lbs
'A' MAX	1.26	-
'B' MAX	4.94	-
∅ 'C' MAX	4.65	3.35



MASTERGEAR

DIVISION OF REGAL-BELOIT CORPORATION
5466 EAST ROCKTON RD. · SOUTH BELOIT, IL 61080

THIS DRAWING/DESIGN IS THE PROPERTY OF MASTERGEAR. AND MUST NOT BE USED WITHOUT THEIR SPECIFIC WRITTEN CONSENT. ©

DO NOT SCALE	DRAWING No. A33MSS
APPROVED BY JRH	REV. A 12/14/01