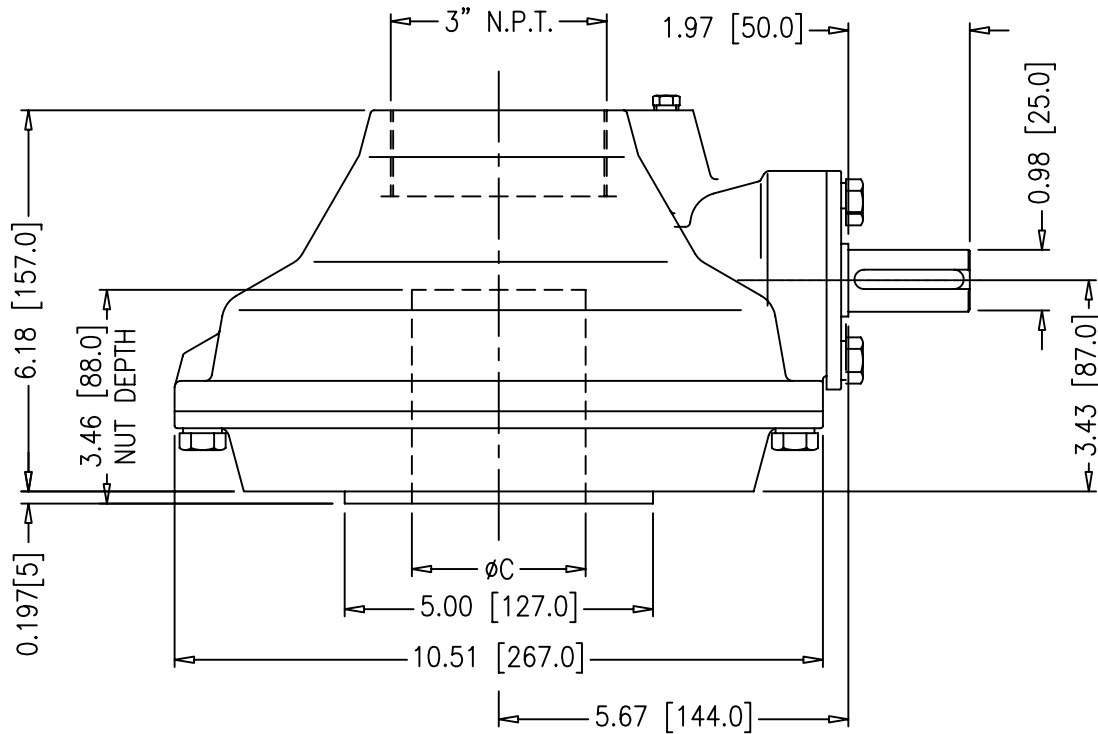
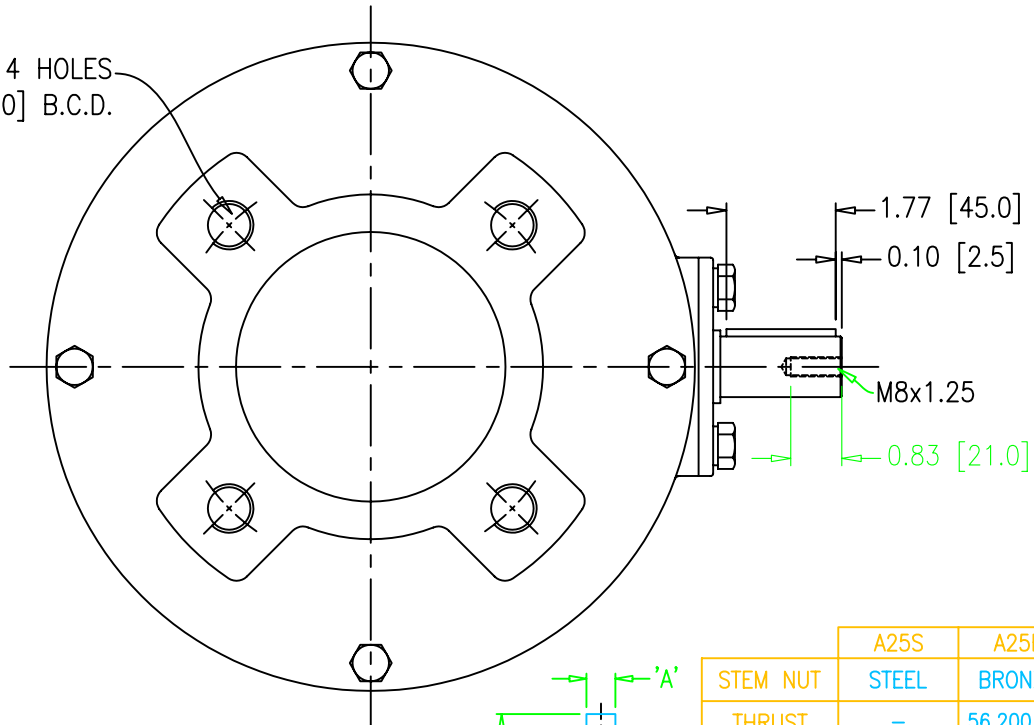


A25 BEVEL GEAR MSS

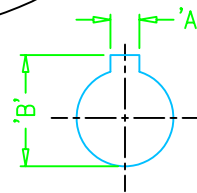


3/4-10 TAP~ 4 HOLES
ON A 6.50[165.0] B.C.D.



NOTES:

1. TORQUE: 627 ft-lbs
2. MECHANICAL ADVANTAGE: 4.93
3. RATIO: 5.8:1
4. DIMENSIONS: IN [MM]



	A25S	A25R
STEM NUT	STEEL	BRONZE
THRUST	-	56,200 lbs
'A' MAX	0.87	-
'B' MAX	3.56	-
Ø 'C' MAX	3.35	2.76



MASTERGEAR

DIVISION OF REGAL-BELOIT CORPORATION
5466 EAST ROCKTON RD. · SOUTH BELOIT, IL 61080

THIS DRAWING/DESIGN IS
THE PROPERTY OF
MASTERGEAR. AND MUST
NOT BE USED WITHOUT
THEIR SPECIFIC WRITTEN
CONSENT. ©

DO
NOT
SCALE

APPROVED BY
JRH

DRAWING
No.
A25MSS

REV. A
12/14/01