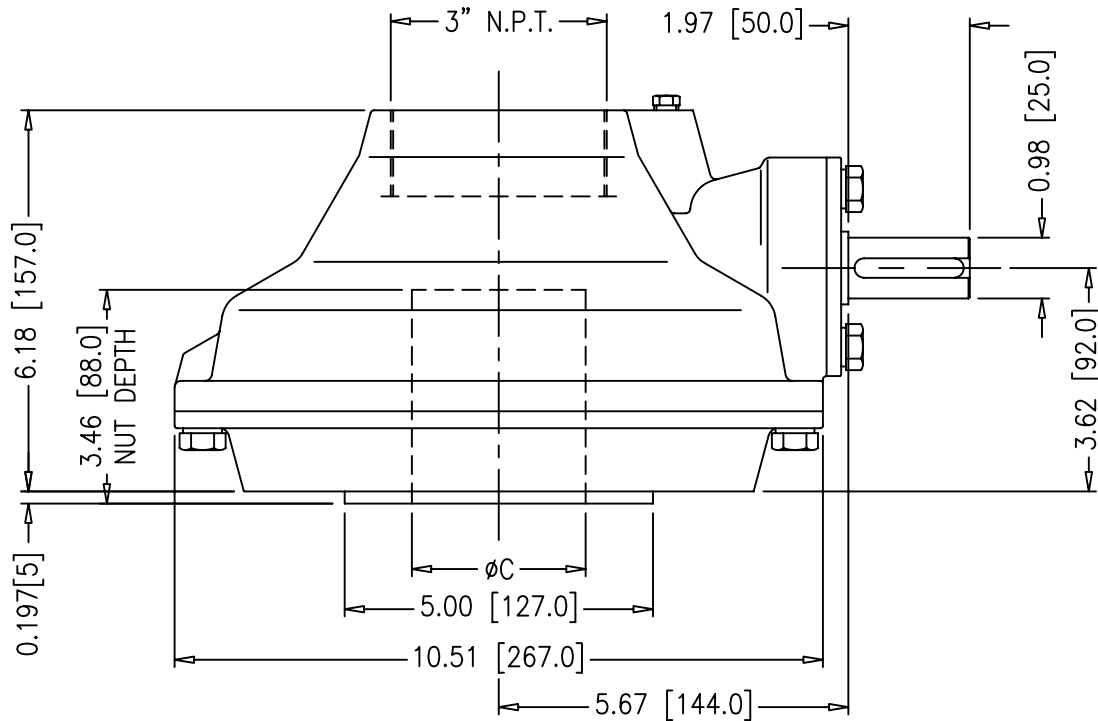
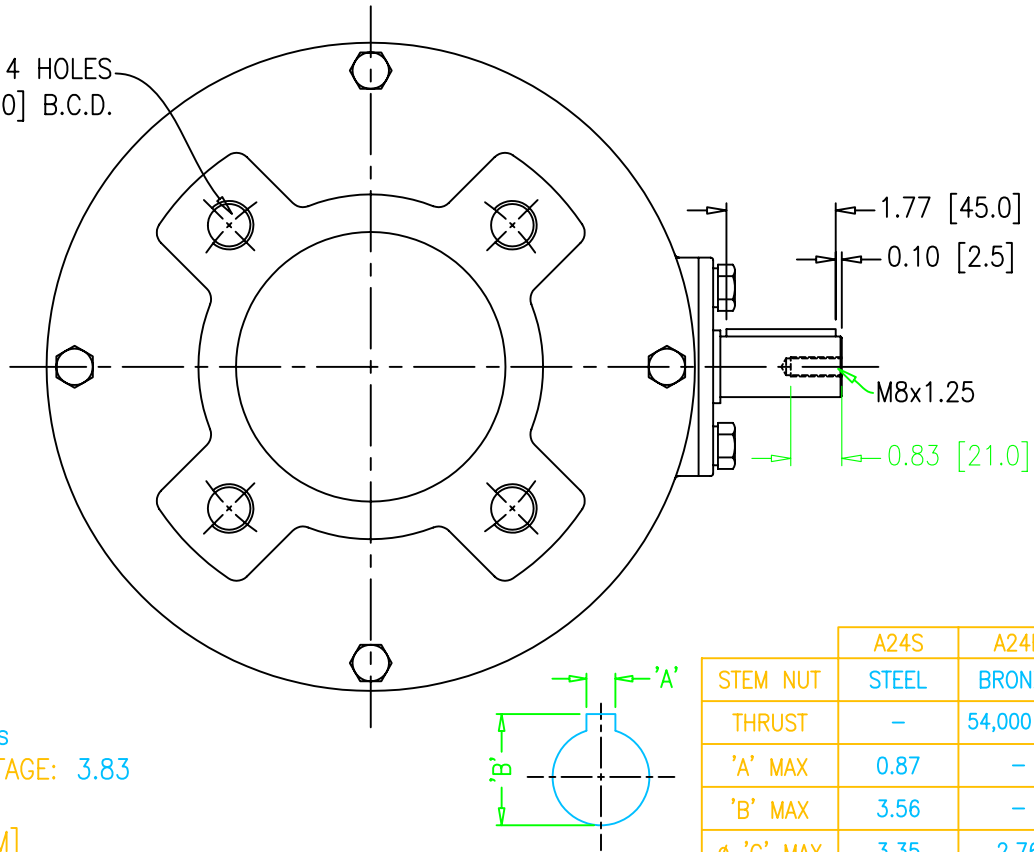


# A24 BEVEL GEAR MSS



3/4-10 TAP~ 4 HOLES  
ON A 6.50 [165.0] B.C.D.



## NOTES:

1. TORQUE: 810 ft-lbs
2. MECHANICAL ADVANTAGE: 3.83
3. RATIO: 4.5:1
4. DIMENSIONS: IN [MM]

	A24S	A24R
STEM NUT	STEEL	BRONZE
THRUST	-	54,000 lbs
'A' MAX	0.87	-
'B' MAX	3.56	-
Ø 'C' MAX	3.35	2.76



## MASTERGEAR

DIVISION OF REGAL-BELOIT CORPORATION  
5466 EAST ROCKTON RD. · SOUTH BELOIT, IL 61080

THIS DRAWING/DESIGN IS  
THE PROPERTY OF  
MASTERGEAR. AND MUST  
NOT BE USED WITHOUT  
THEIR SPECIFIC WRITTEN  
CONSENT. ©

DO  
NOT  
SCALE  
APPROVED BY  
JRH

DRAWING  
No.  
A24MSS  
REV. A  
12/14/01