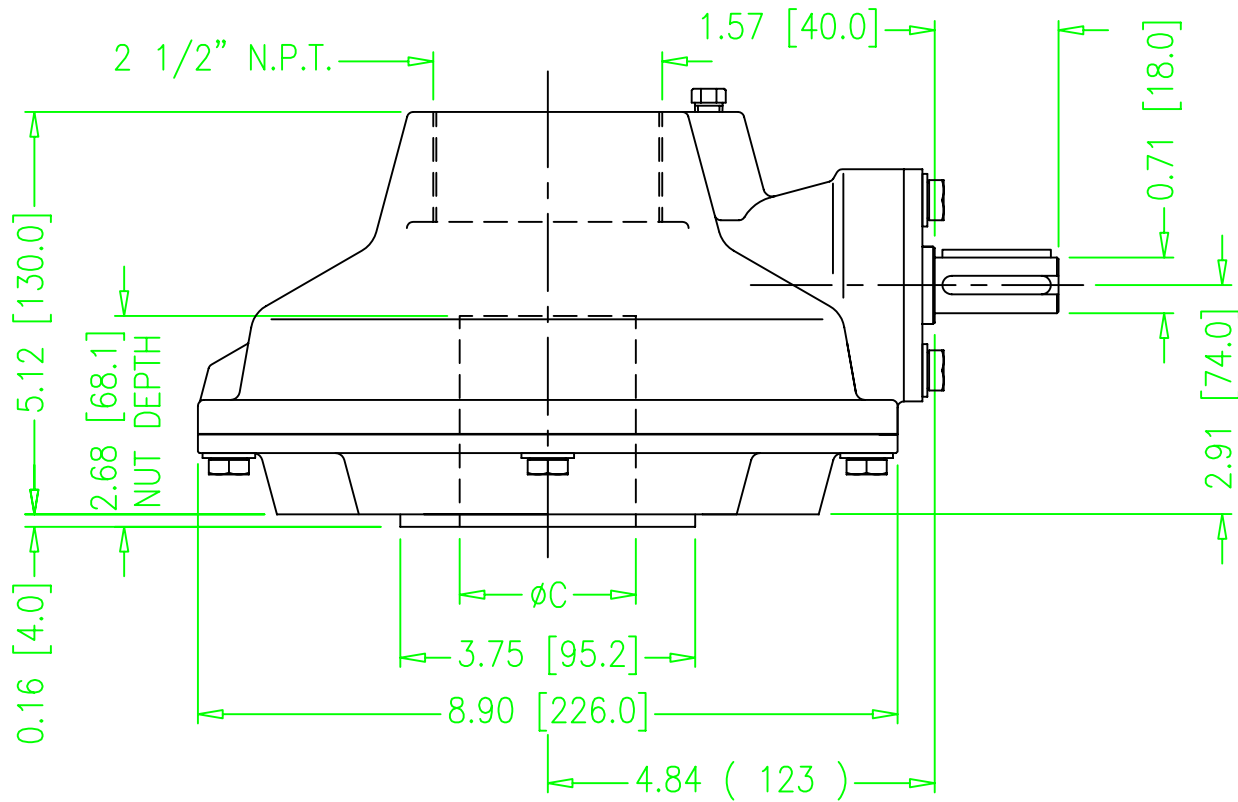
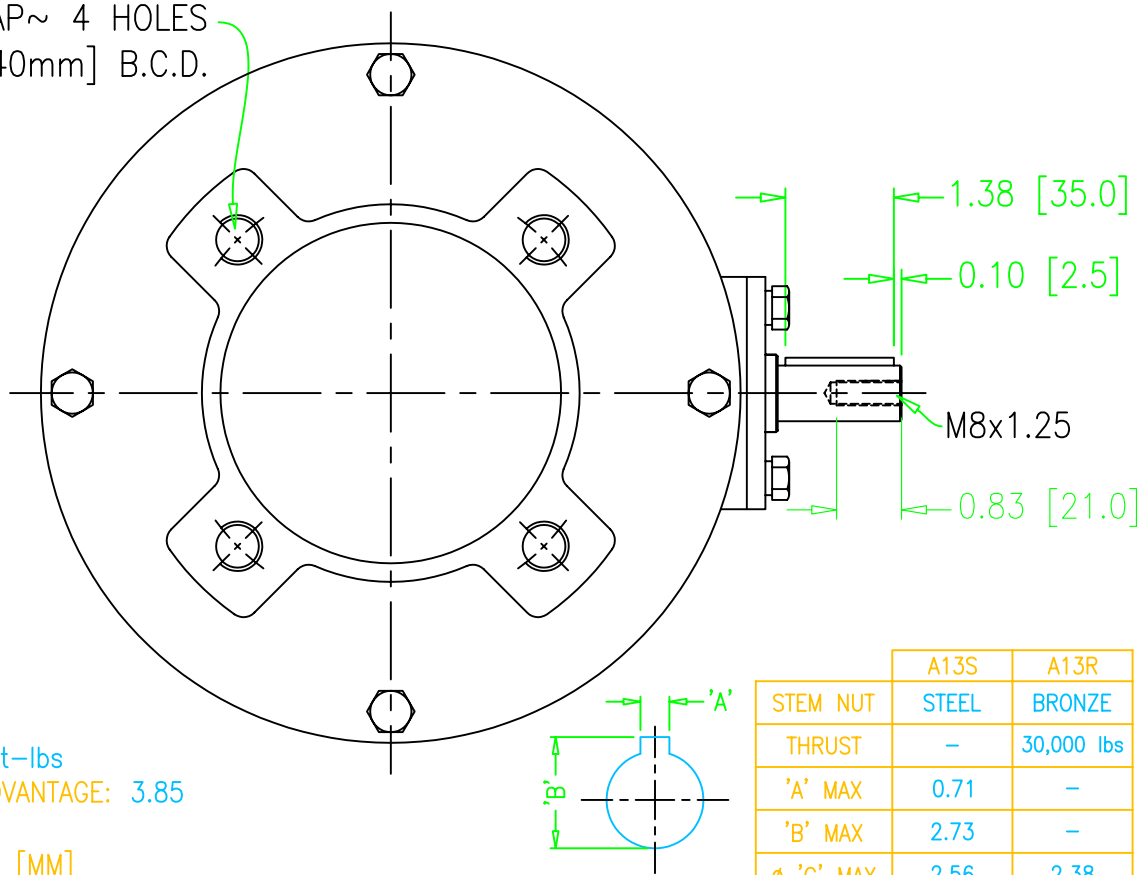


A13 BEVEL GEAR MSS



5/8-11 TAP~ 4 HOLES
ON A 5.50[140mm] B.C.D.



NOTES:

1. TORQUE: 440 ft-lbs
2. MECHANICAL ADVANTAGE: 3.85
3. RATIO: 4.5:1
4. DIMENSIONS: IN [MM]

| | A13S | A13R |
|-----------|-------|------------|
| STEM NUT | STEEL | BRONZE |
| THRUST | - | 30,000 lbs |
| 'A' MAX | 0.71 | - |
| 'B' MAX | 2.73 | - |
| ∅ 'C' MAX | 2.56 | 2.38 |



MASTERGEAR

DIVISION OF REGAL-BELOIT CORPORATION
5466 EAST ROCKTON RD. · SOUTH BELOIT, IL 61080

THIS DRAWING/DESIGN IS THE PROPERTY OF MASTERGEAR. AND MUST NOT BE USED WITHOUT THEIR SPECIFIC WRITTEN CONSENT. ©

DO NOT SCALE
APPROVED BY
JRH

DRAWING No.
A13MSS
REV. A
12/14/01