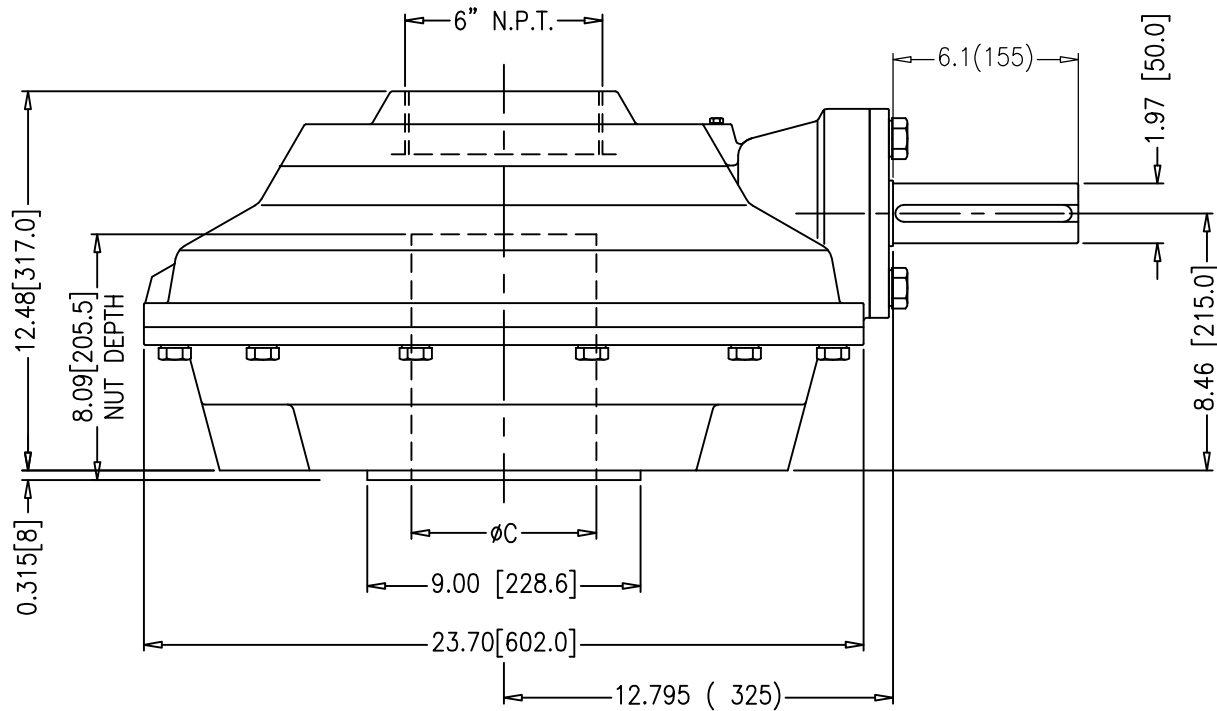
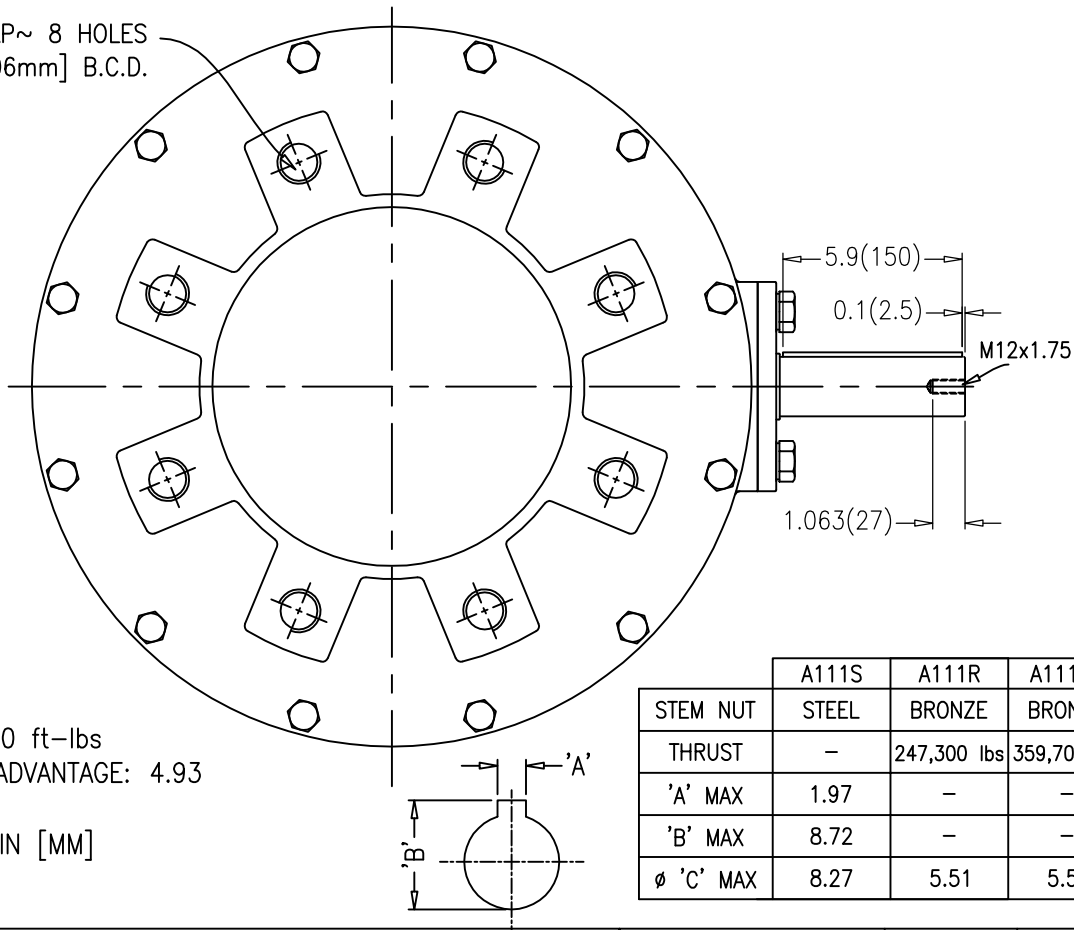


A111 BEVEL GEAR MSS



1 1/4-7 TAP~ 8 HOLES
ON A 16.00[406mm] B.C.D.



NOTES:

1. TORQUE: 8,850 ft-lbs
2. MECHANICAL ADVANTAGE: 4.93
3. RATIO: 5.8:1
4. DIMENSIONS: IN [MM]

	A111S	A111R	A111RS
STEM NUT	STEEL	BRONZE	BRONZE
THRUST	-	247,300 lbs	359,700 lbs
'A' MAX	1.97	-	-
'B' MAX	8.72	-	-
ϕ 'C' MAX	8.27	5.51	5.51



MASTERGEAR

DIVISION OF REGAL-BELOIT CORPORATION
5466 EAST ROCKTON RD. SOUTH BELOIT, IL 61080

THIS DRAWING/DESIGN IS
THE PROPERTY OF
MASTERGEAR. AND MUST
NOT BE USED WITHOUT
THEIR SPECIFIC WRITTEN
CONSENT. ©

DO
NOT
SCALE
APPROVED BY
JRH

DRAWING
No.
A111MSS
REV.B
7/17/09