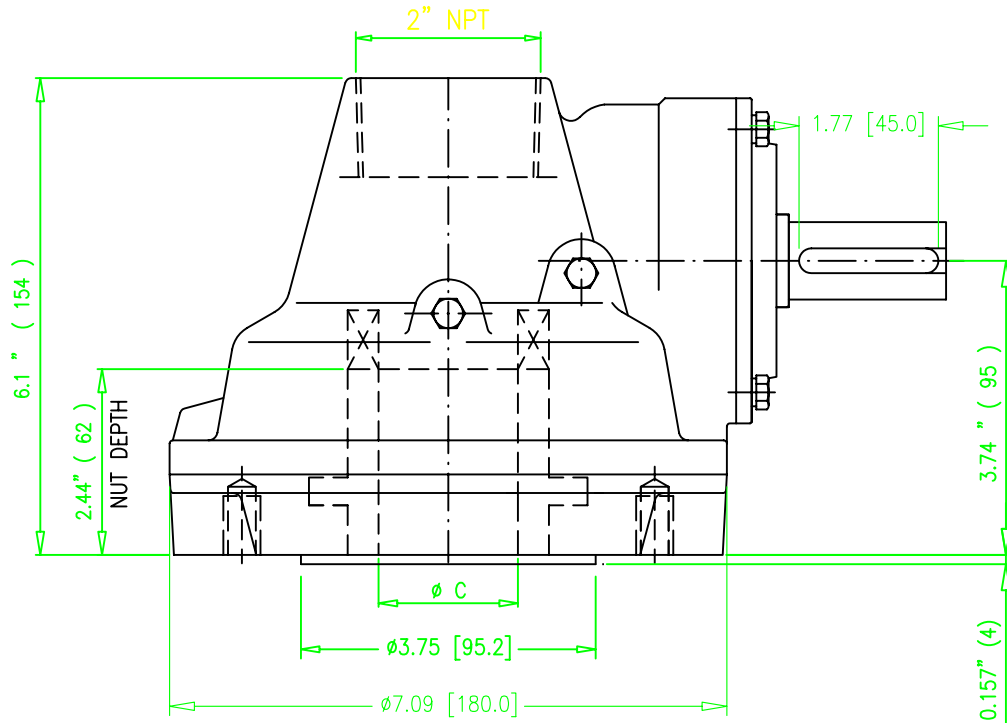
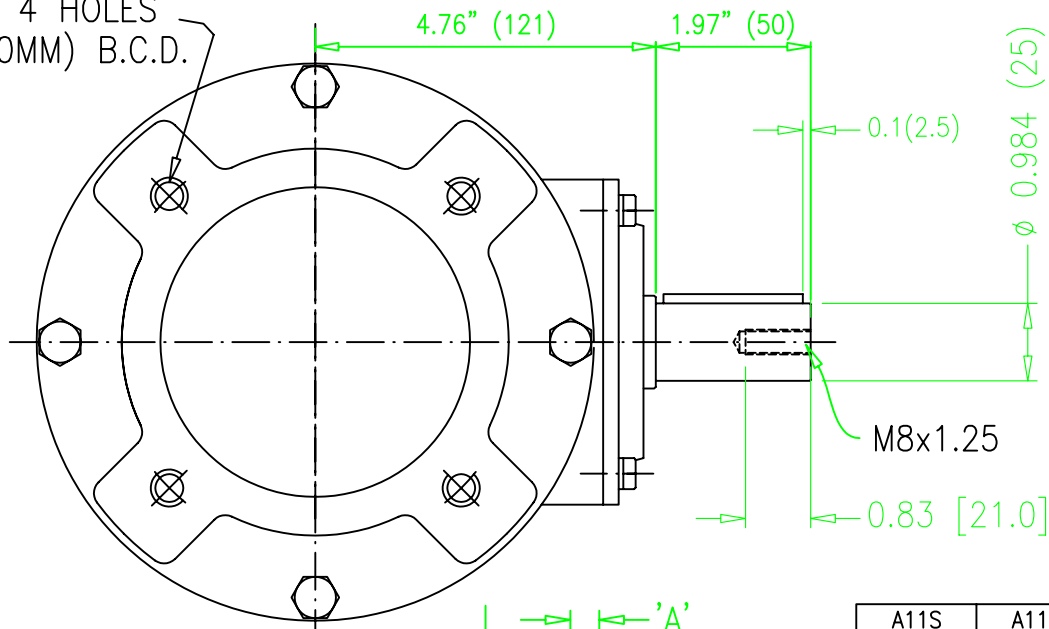


# A11 BEVEL GEAR MSS

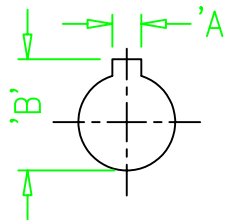


5/8-11 TAP ~ 4 HOLES  
ON A 5.50 (140MM) B.C.D.



**NOTES:**

1. TORQUE: 368 ft-lbs
2. MECHANICAL ADVANTAGE: 1.29
3. RATIO: 1.52:1
4. DIMENSIONS: IN [MM]



	A11S	A11R
STEM NUT	STEEL	BRONZE
THRUST	-	22.500 lbs
'A' MAX	0.55	-
'B' MAX	2.12	-
Ø 'C' MAX	1.97	1.77



**MASTERGEAR**

DIVISION OF REGAL-BELOIT CORPORATION  
5466 EAST ROCKTON RD. · SOUTH BELOIT, IL 61080

THIS DRAWING/DESIGN IS THE PROPERTY OF MASTERGEAR. AND MUST NOT BE USED WITHOUT THEIR SPECIFIC WRITTEN CONSENT. ©

DO NOT SCALE  
APPROVED BY  
JRH

DRAWING No.  
**A11MSS**  
REV.A  
8/21/02