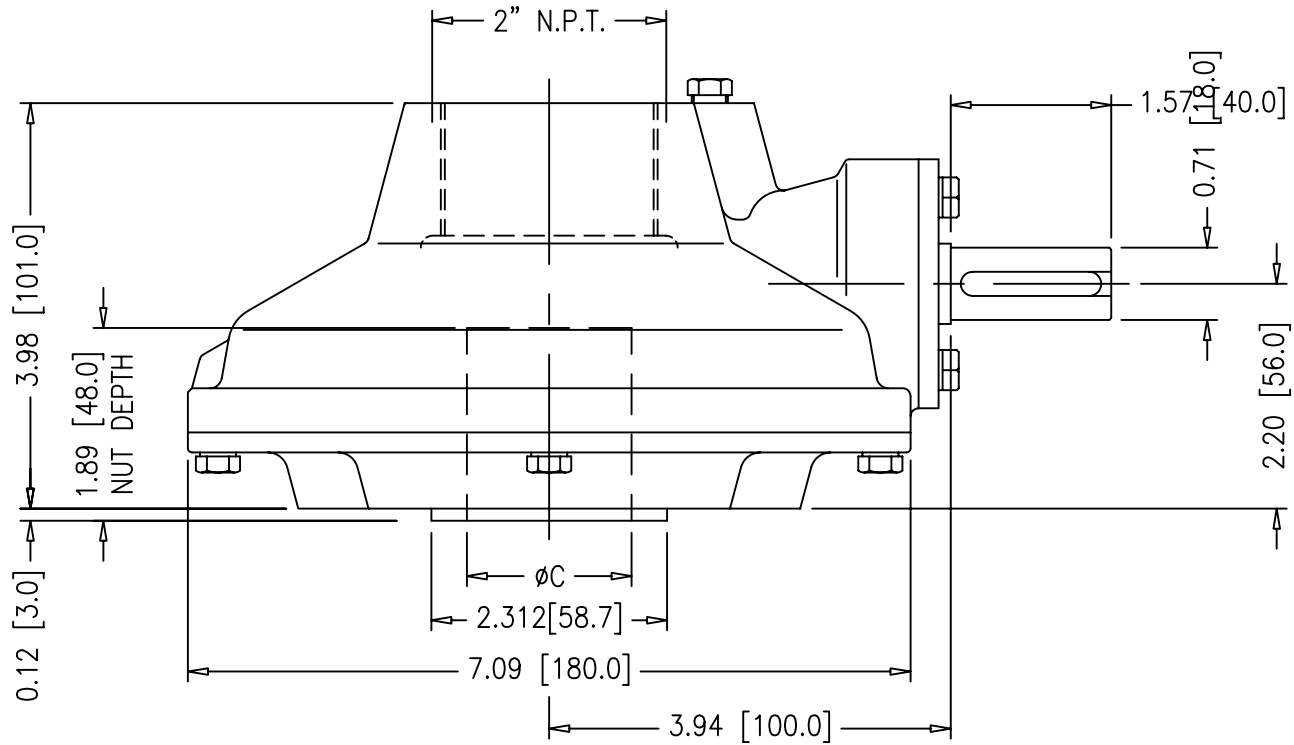
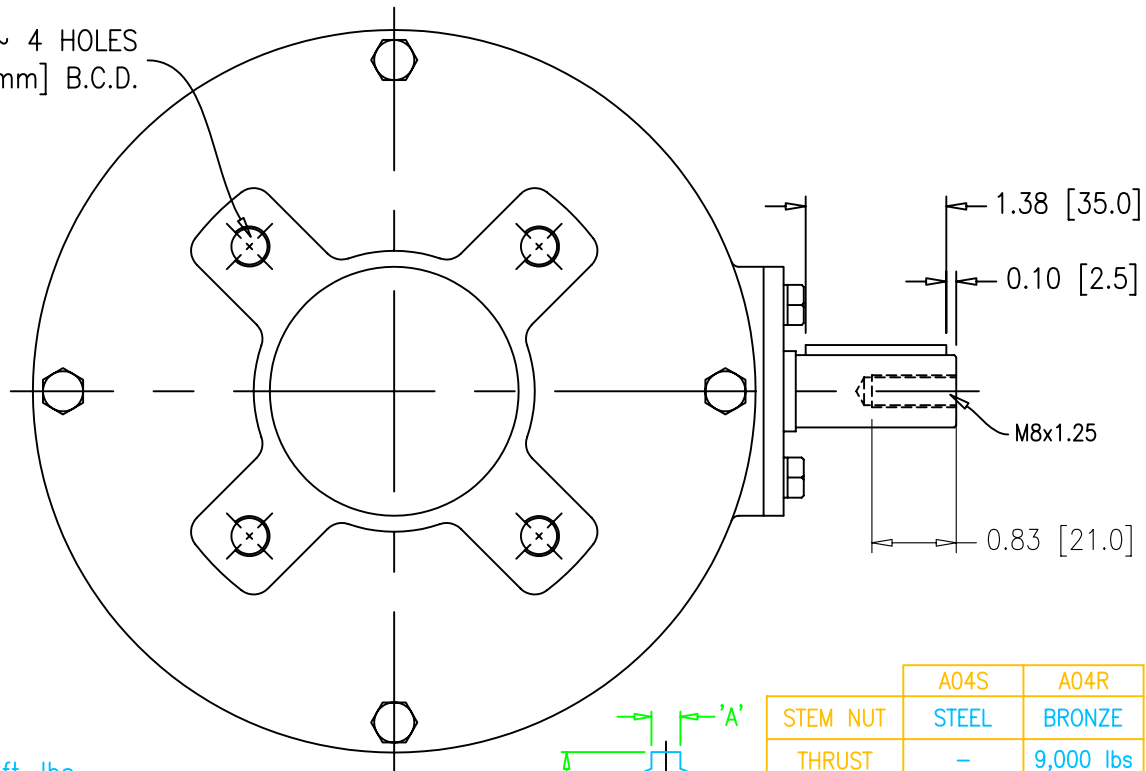


# A04 BEVEL GEAR MSS

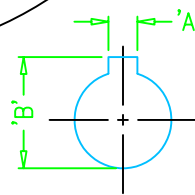


3/8-16 TAP ~ 4 HOLES  
ON A 4.00 [102mm] B.C.D.



## NOTES:

1. TORQUE: 220 ft-lbs
2. MECHANICAL ADVANTAGE: 3.85
3. RATIO: 4.5:1
4. DIMENSIONS: IN [MM]



	A04S	A04R
STEM NUT	STEEL	BRONZE
THRUST	-	9,000 lbs
'A' MAX	0.55	-
'B' MAX	1.92	-
Ø 'C' MAX	1.77	1.57



## MASTERGEAR

DIVISION OF REGAL-BELOIT CORPORATION  
5466 EAST ROCKTON RD. · SOUTH BELOIT, IL 61080

THIS DRAWING/DESIGN IS  
THE PROPERTY OF  
MASTERGEAR. AND MUST  
NOT BE USED WITHOUT  
THEIR SPECIFIC WRITTEN  
CONSENT. ©

DO  
NOT  
SCALE  
APPROVED BY  
JRH

DRAWING  
No.  
A04MSS  
REV. A  
12/14/01