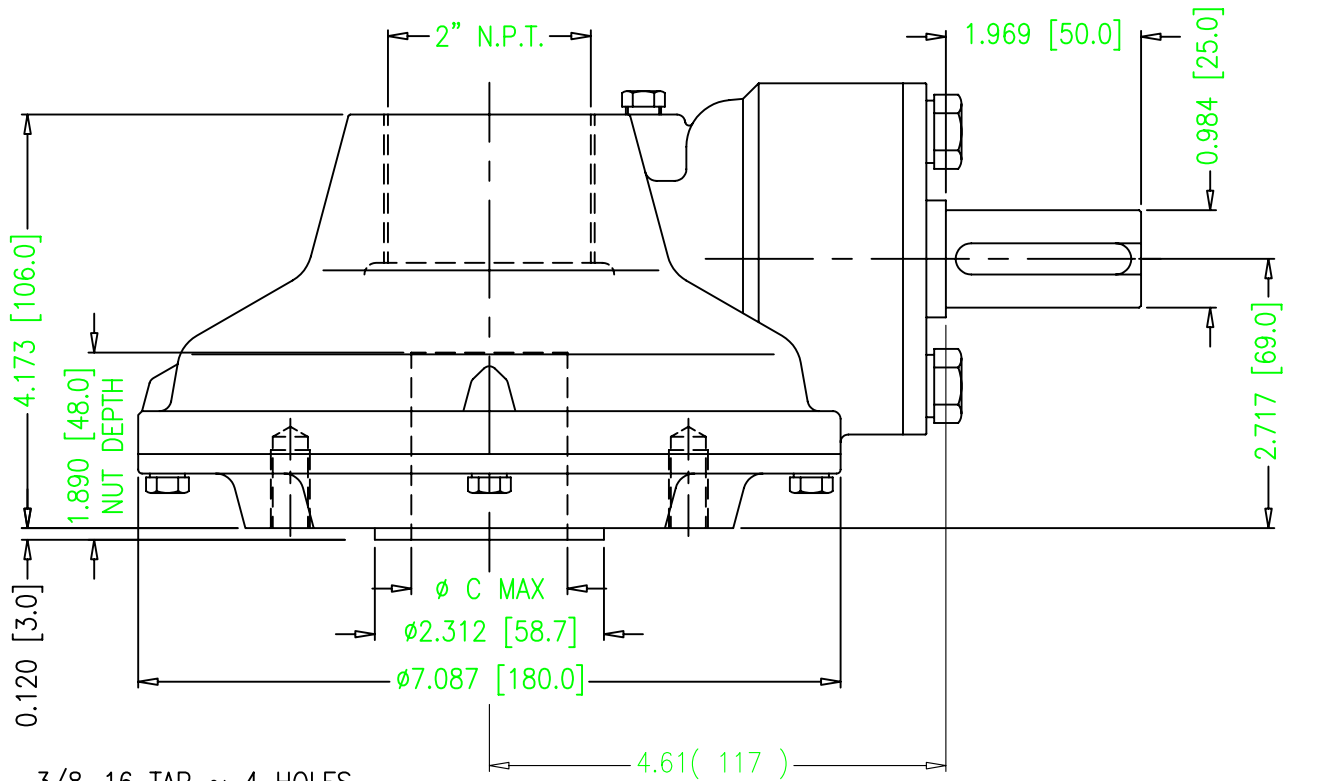
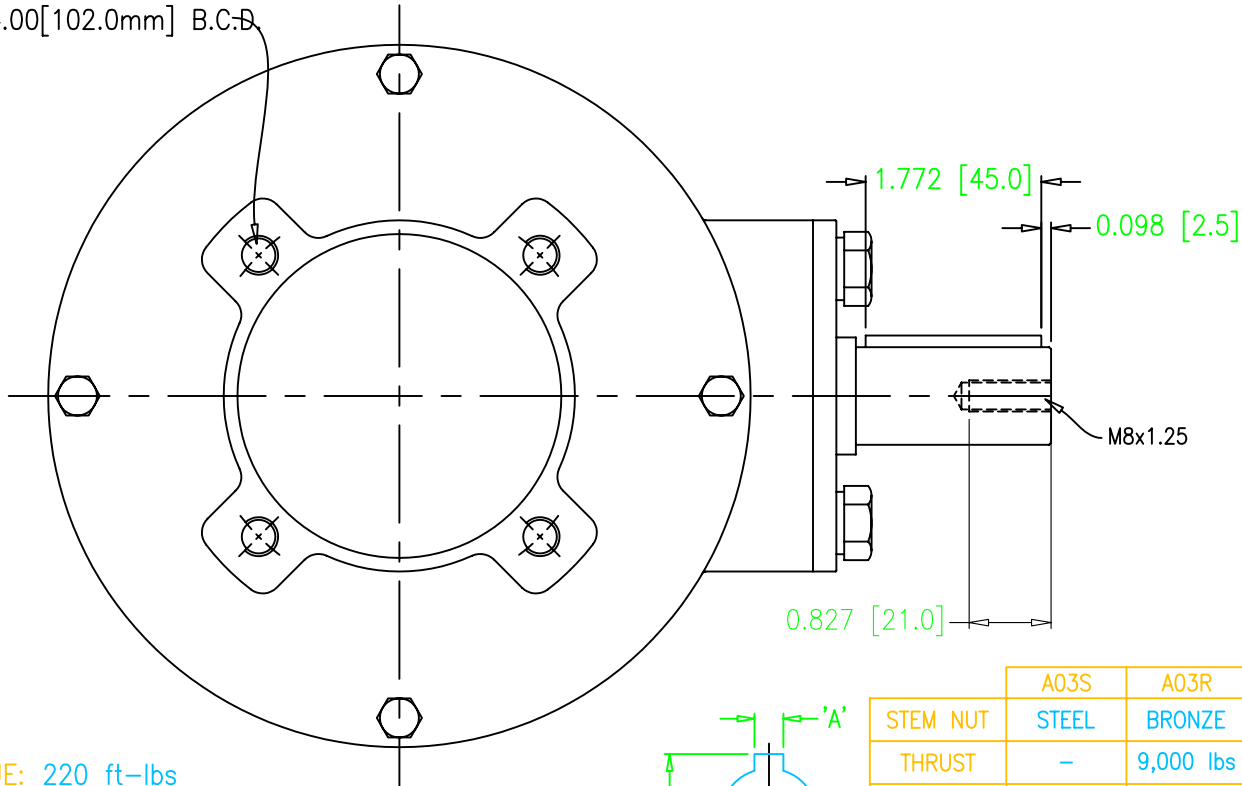


A03 BEVEL GEAR MSS



3/8-16 TAP ~ 4 HOLES
ON A 4.00[102.0mm] B.C.D



NOTES:

1. TORQUE: 220 ft-lbs
2. MECHANICAL ADVANTAGE: 1.95
3. RATIO: 2.3:1
4. DIMENSIONS: IN [MM]

	A03S	A03R
STEM NUT	STEEL	BRONZE
THRUST	-	9,000 lbs
'A' MAX	0.55	-
'B' MAX	1.92	-
φ 'C' MAX	1.77	1.57



MASTERGEAR

DIVISION OF REGAL-BELOIT CORPORATION
5466 EAST ROCKTON RD. · SOUTH BELOIT, IL 61080

THIS DRAWING/DESIGN IS THE PROPERTY OF MASTERGEAR. AND MUST NOT BE USED WITHOUT THEIR SPECIFIC WRITTEN CONSENT. © JRH

DO NOT SCALE

APPROVED BY

DRAWING No.

A03MSS

REV. A
12/14/01