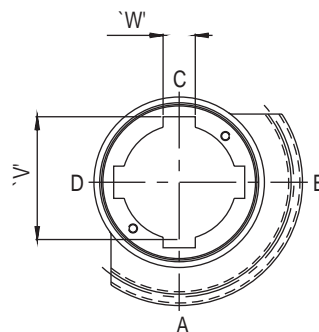
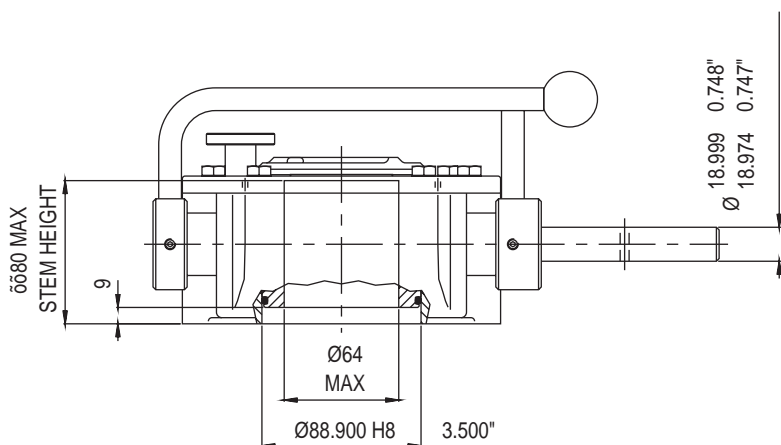
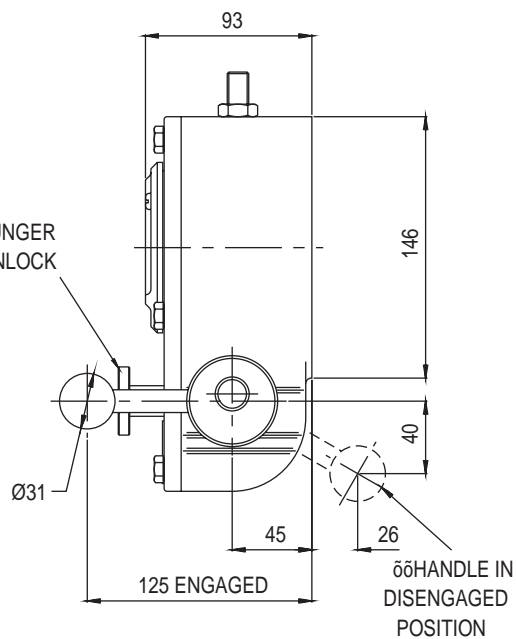
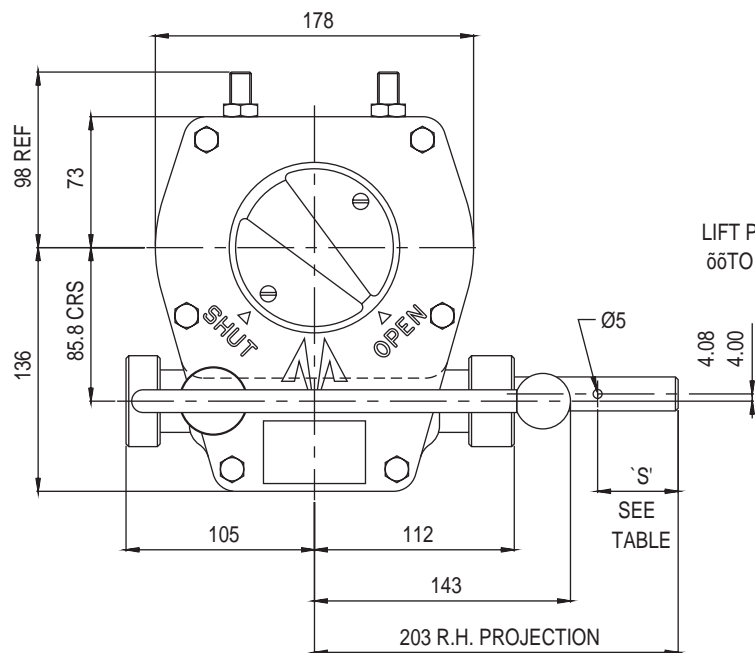


ACTUATOR TYPE - MAWD44



OUTPUT KEYWAY DETAILS
SHOWN IN OPEN POSITION

GENERAL INFORMATION

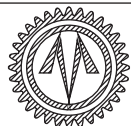
TRAVEL.....90° +/- 5° AT BOTH ENDS
 RATIO.....44:1
 TURNS TO CLOSE.....11

MECHANICAL ADVANTAGE.....12.6 +/- 10%
 MAXIMUM OUTPUT TORQUE.....1243 Nm
 MAXIMUM INPUT TORQUE.....98.7 Nm

HANDWHEEL DATA		
HANDWHEEL DIA		'S'
8"	203	25
10"	254	32
12"	305	32
14"	356	32
18"	457	45

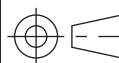
MOUNTING HOLE DETAIL: PREFERRED....F14 (4 x M16 ON 140 PCD)
 MAXIMUM.....F16 (4 x M20 ON 165 PCD)
 MINIMUM.....F12 (4 x M12 ON 125 PCD)

APPROXIMATE WEIGHT.....16 Kg (excluding handwheel)



OPPERMAN MASTERGEAR

Hambridge Road, Newbury, Berkshire, RG14 5TS. ENGLAND
 Telephone: (01635) 811500 Telefax: (01635) 811501



DIMENSIONS
IN

SCALE

DRAWING
No.

MM INCHES

1:4

ME-15702

THIS DRAWING/DESIGN IS THE PROPERTY OF OPPERMAN MASTERGEAR LTD. AND ©
 MUST NOT BE USED OR COPIED WITHOUT THEIR SPECIFIC WRITTEN CONSENT.

REV. A
 21MAR95