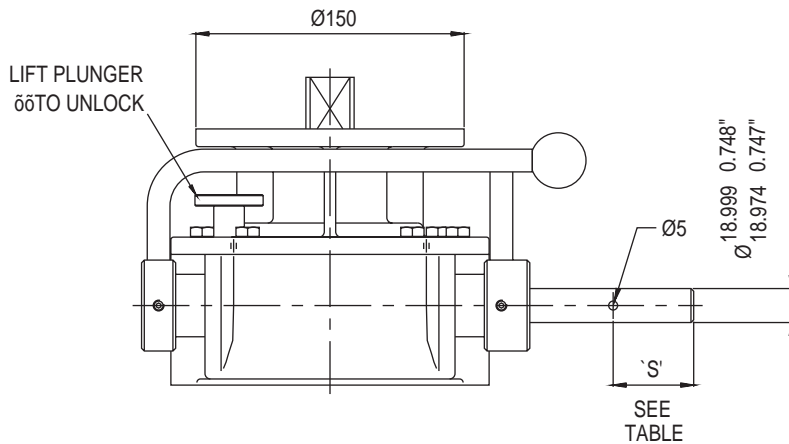
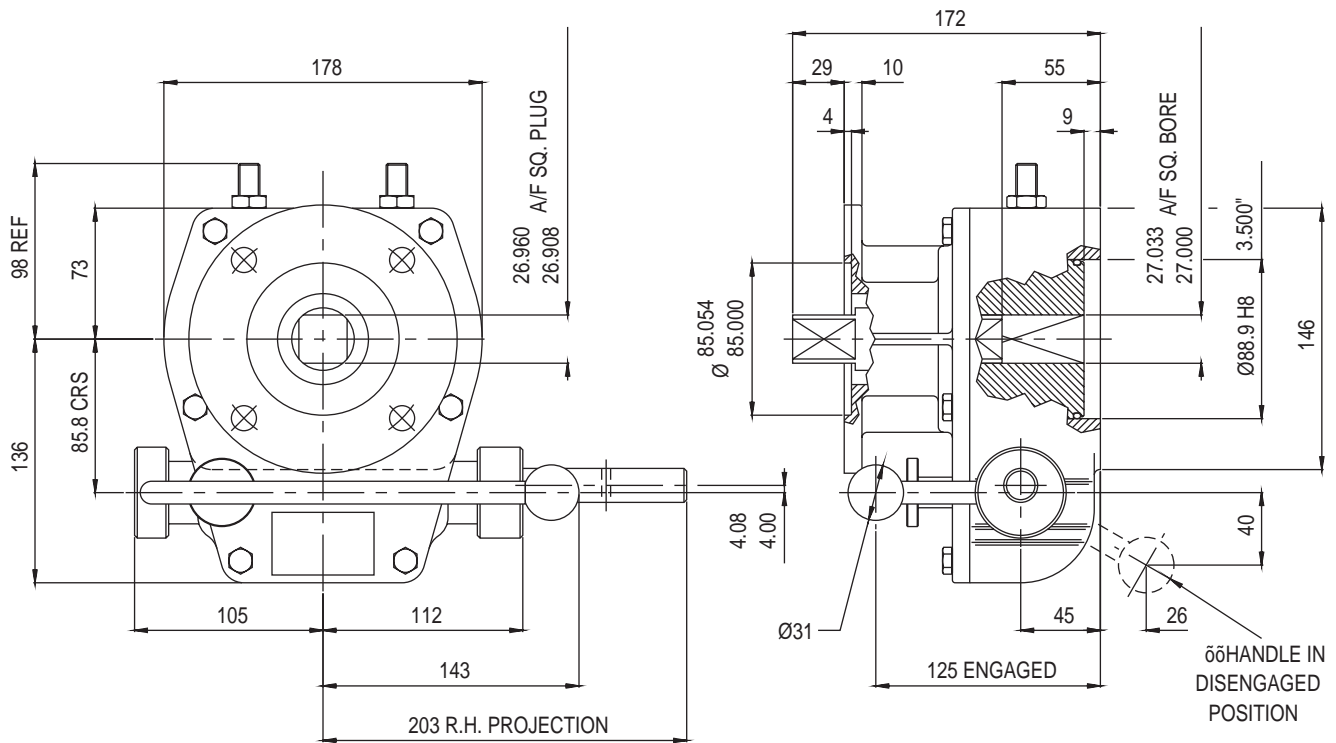


ACTUATOR TYPE - MAWD44/TF12TP



NOTE.
 ISO 5211 VERSION SHOWN WITH
 OUTPUT BORE & TORQUE PLUG
 FLATS ON CENTRES.
 DIN 3337 VERSION ALSO AVAILABLE
 WITH OUTPUT BORE & TORQUE PLUG
 CORNERS ON CENTRES.

GENERAL INFORMATION

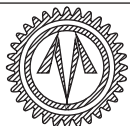
TRAVEL.....90° +/- 5° AT BOTH ENDS
 RATIO.....44:1
 TURNS TO CLOSE.....11

MECHANICAL ADVANTAGE.....12.6 +/- 10%
 MAXIMUM OUTPUT TORQUE.....1243 Nm
 MAXIMUM INPUT TORQUE.....98.7 Nm

BASE MOUNTING HOLE DETAIL.....F12 (4 x M12 ON 125 PCD)
 TOP MOUNTING HOLE DETAIL.....4 x Ø14 ON 125 PCD OFF CRS

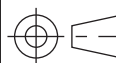
APPROXIMATE WEIGHT.....18 Kg (excluding handwheel)

HANDWHEEL DATA		
HANDWHEEL DIA	'S'	
8"	203	25
10"	254	32
12"	305	32
14"	356	32
18"	457	45



OPPERMAN MASTERGEAR

Hambridge Road, Newbury, Berkshire, RG14 5TS. ENGLAND
 Telephone: (01635) 811500 Telefax: (01635) 811501



DIMENSIONS
 IN

SCALE

DRAWING
 No.

MM INCHES

1:4

ME-15722

THIS DRAWING/DESIGN IS THE PROPERTY OF OPPERMAN MASTERGEAR LTD. AND ©
 MUST NOT BE USED OR COPIED WITHOUT THEIR SPECIFIC WRITTEN CONSENT.

REV. B
 11MAY99