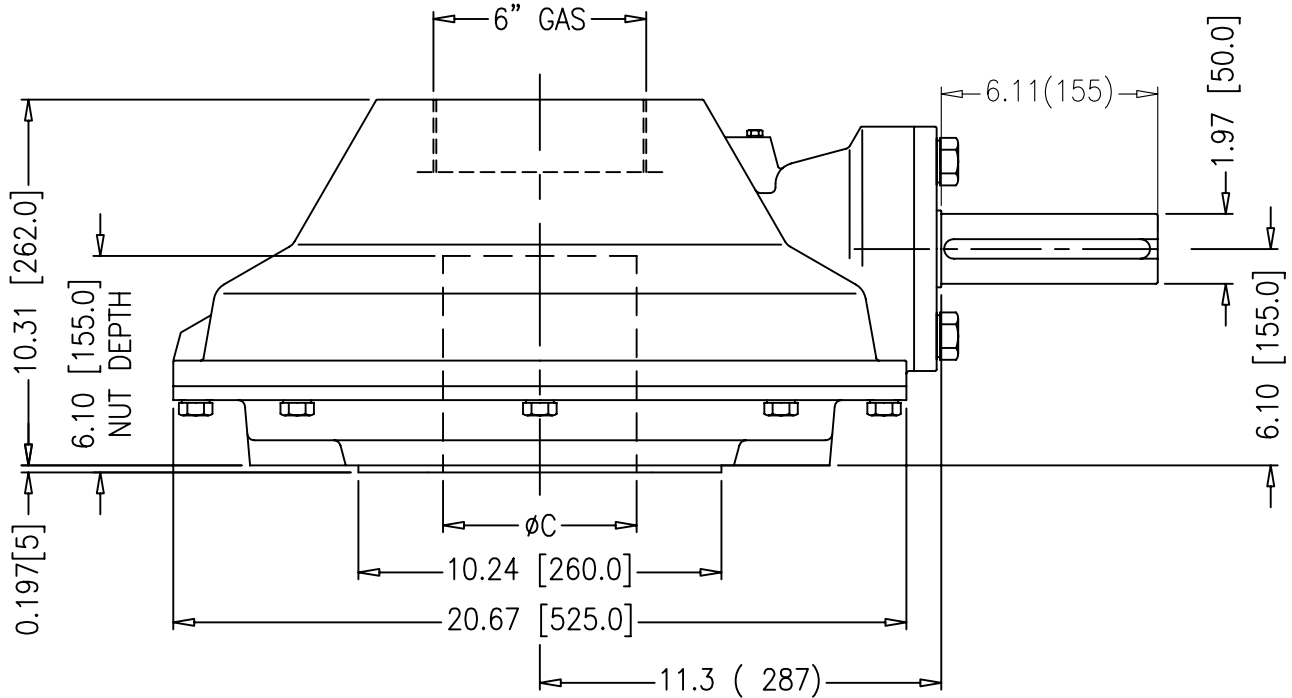
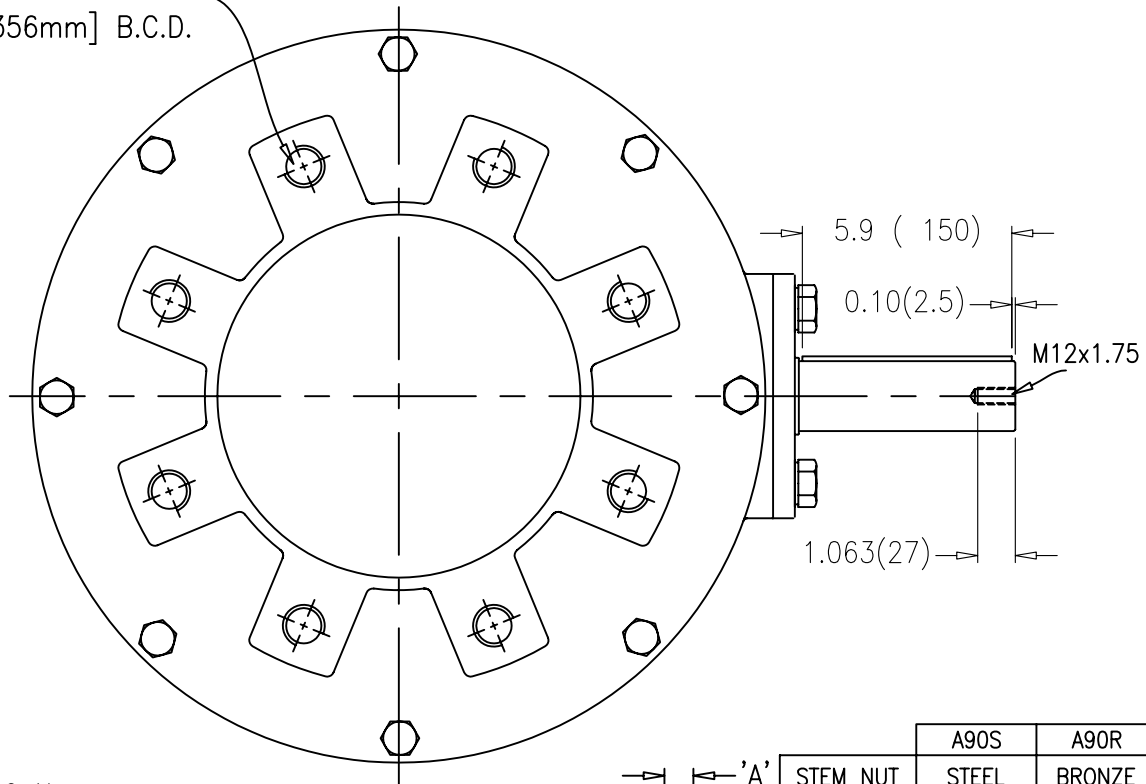


# A90 BEVEL GEAR ISO

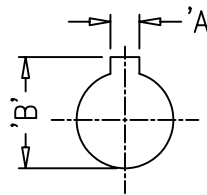


M30 TAP ~ 8 HOLES  
ON A 14.00 [356mm] B.C.D.



**NOTES:**

1. TORQUE: 9000 Nn
2. MECHANICAL ADVANTAGE: 4.25
3. RATIO: 5:1
4. DIMENSIONS: IN [MM]
5. OUTPUT FLANGE: ISO F35



	A90S	A90R
STEM NUT	STEEL	BRONZE
THRUST	-	900 kN
'A' MAX	45	-
'B' MAX	200.4	-
$\phi$ 'C' MAX	190	122



**COSTRUZIONI MECCANICHE LEGNANESI**

**MASTERGEAR**

DIVISION OF REGAL-BELOIT CORPORATION  
5466 EAST ROCKTON RD. SOUTH BELOIT, IL 61080

THIS DRAWING/DESIGN IS THE PROPERTY OF MASTERGEAR. AND MUST NOT BE USED WITHOUT THEIR SPECIFIC WRITTEN CONSENT. ©

DO NOT SCALE  
APPROVED BY LD

DRAWING No. **A90 ISO**  
REV.0  
16-04-03