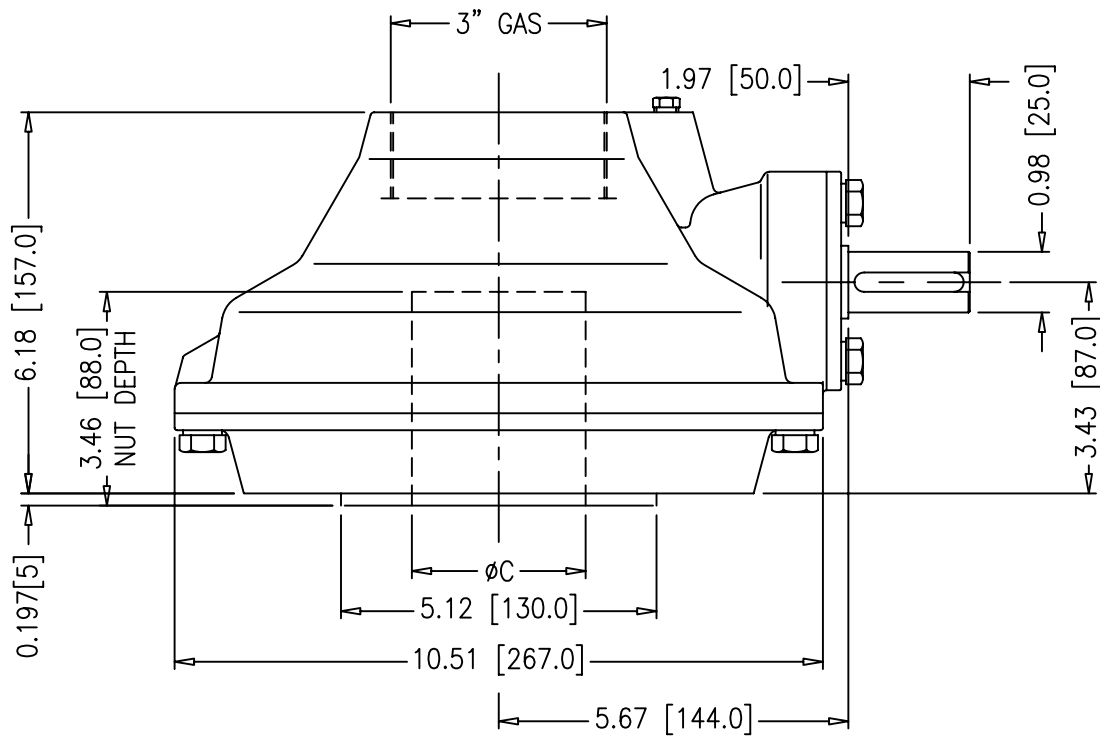
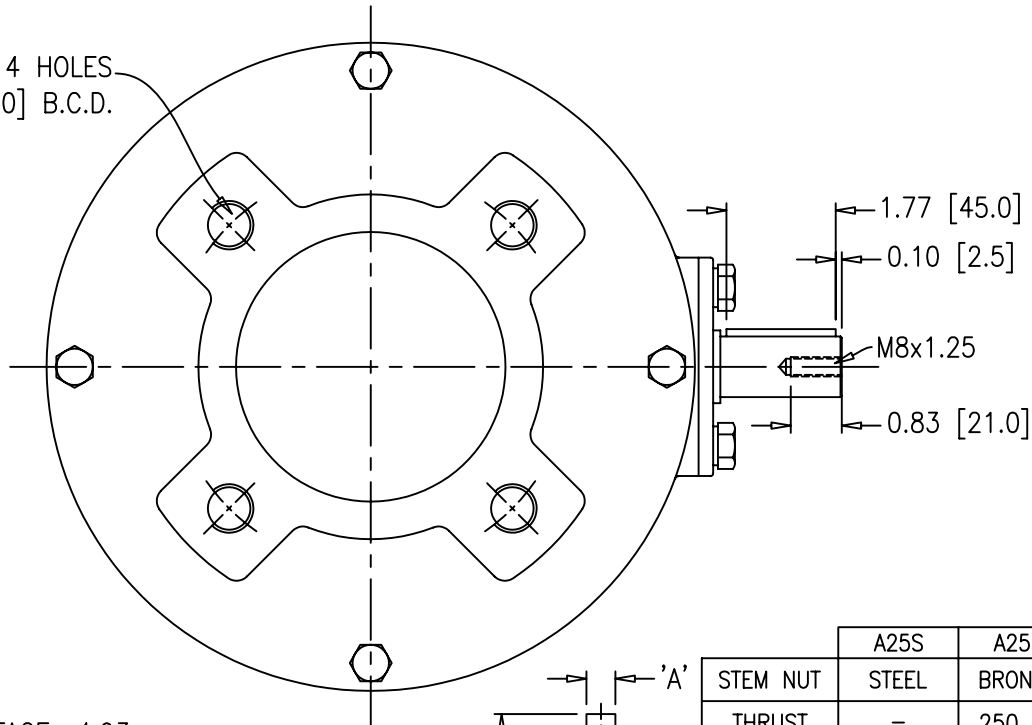


A25 BEVEL GEAR ISO



M20 TAP~ 4 HOLES
ON A 6.50 [165.0] B.C.D.



NOTES:

1. TORQUE: 850 Nm
2. MECHANICAL ADVANTAGE: 4.93
3. RATIO: 5.8:1
4. DIMENSIONS: IN [MM]
5. OUTPUT FLANGE: ISO F16

	A25S	A25R
STEM NUT	STEEL	BRONZE
THRUST	-	250 KN
'A' MAX	22	-
'B' MAX	90.4	-
∅ 'C' MAX	85	70



COSTRUZIONI MECCANICHE LEGNANESI

MASTERGEAR

DIVISION OF REGAL-BELOIT CORPORATION
5466 EAST ROCKTON RD. · SOUTH BELOIT, IL 61080

THIS DRAWING/DESIGN IS
THE PROPERTY OF
MASTERGEAR. AND MUST
NOT BE USED WITHOUT
THEIR SPECIFIC WRITTEN
CONSENT. ©

DO
NOT
SCALE

APPROVED BY
LD

DRAWING
No.
A25 ISO

REV.0
16-04-03