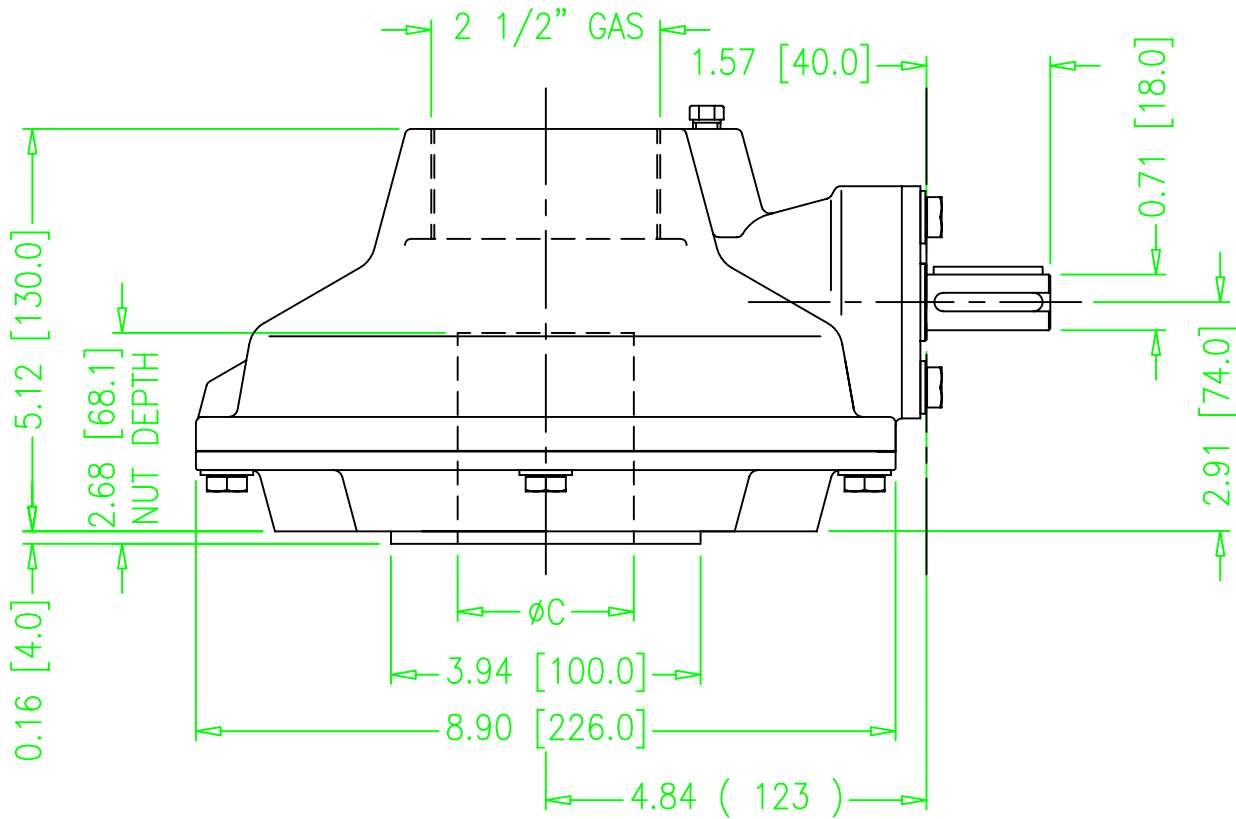
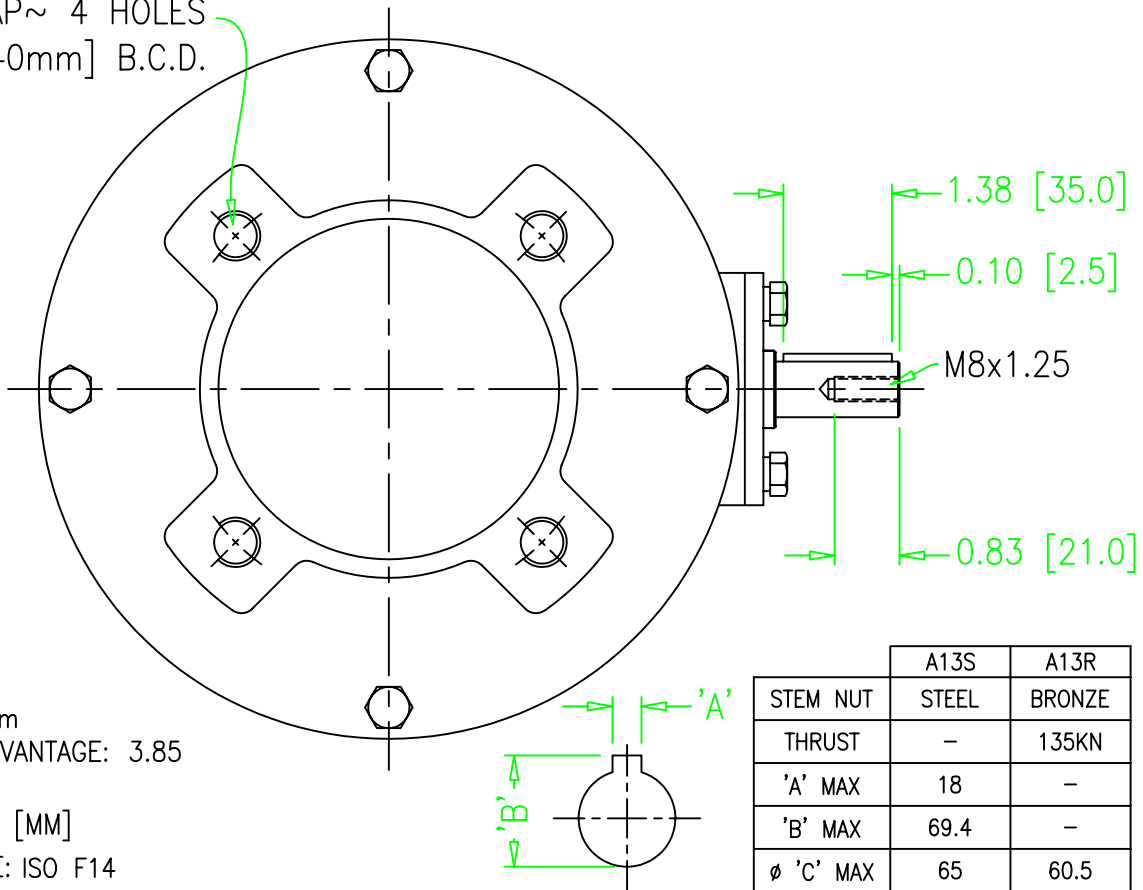


A13 BEVEL GEAR ISO



M16 TAP~ 4 HOLES
ON A 5.50[140mm] B.C.D.



NOTES:

1. TORQUE: 600 Nm
2. MECHANICAL ADVANTAGE: 3.85
3. RATIO: 4.5:1
4. DIMENSIONS: IN [MM]
5. OUTPUT FLANGE: ISO F14

	A13S	A13R
STEM NUT	STEEL	BRONZE
THRUST	-	135KN
'A' MAX	18	-
'B' MAX	69.4	-
∅ 'C' MAX	65	60.5



COSTRUZIONI MECCANICHE LEGNANESI

MASTERGEAR

DIVISION OF REGAL-BELOIT CORPORATION
5466 EAST ROCKTON RD. · SOUTH BELOIT, IL 61080

THIS DRAWING/DESIGN IS THE PROPERTY OF MASTERGEAR. AND MUST NOT BE USED WITHOUT THEIR SPECIFIC WRITTEN CONSENT. ©

DO NOT SCALE
APPROVED BY
LD

DRAWING No.
A13 ISO
REV.0
16-04-03