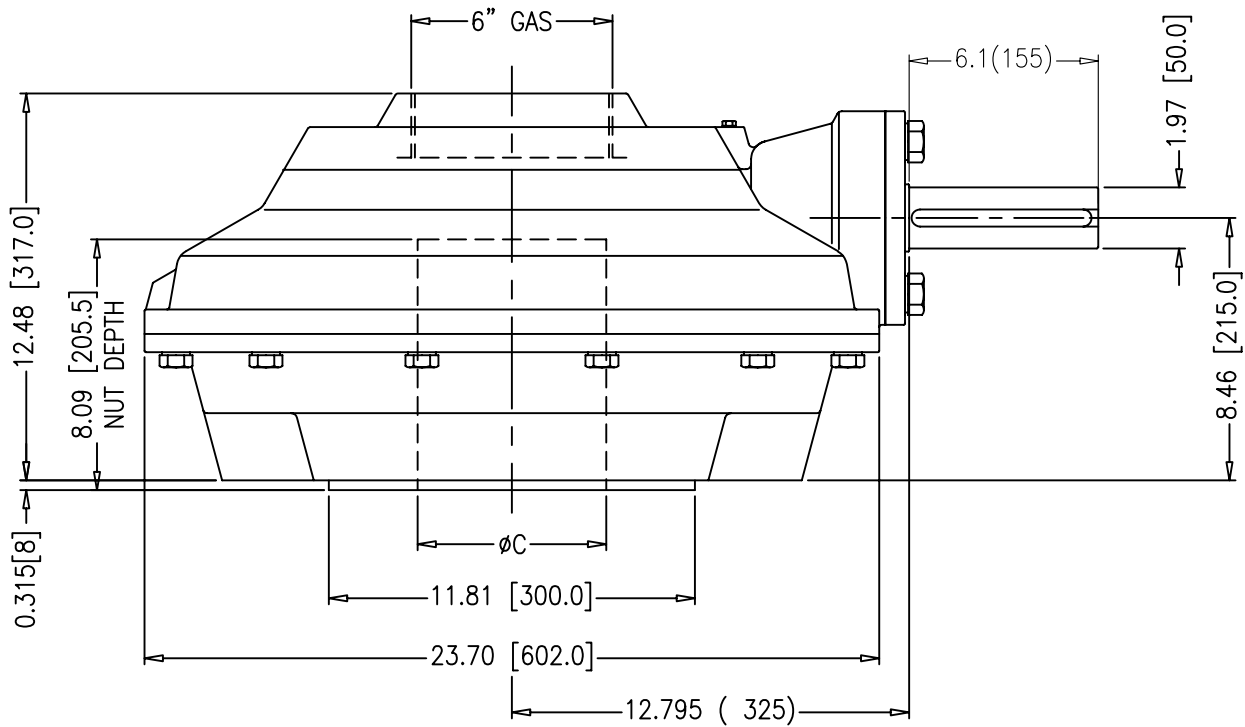
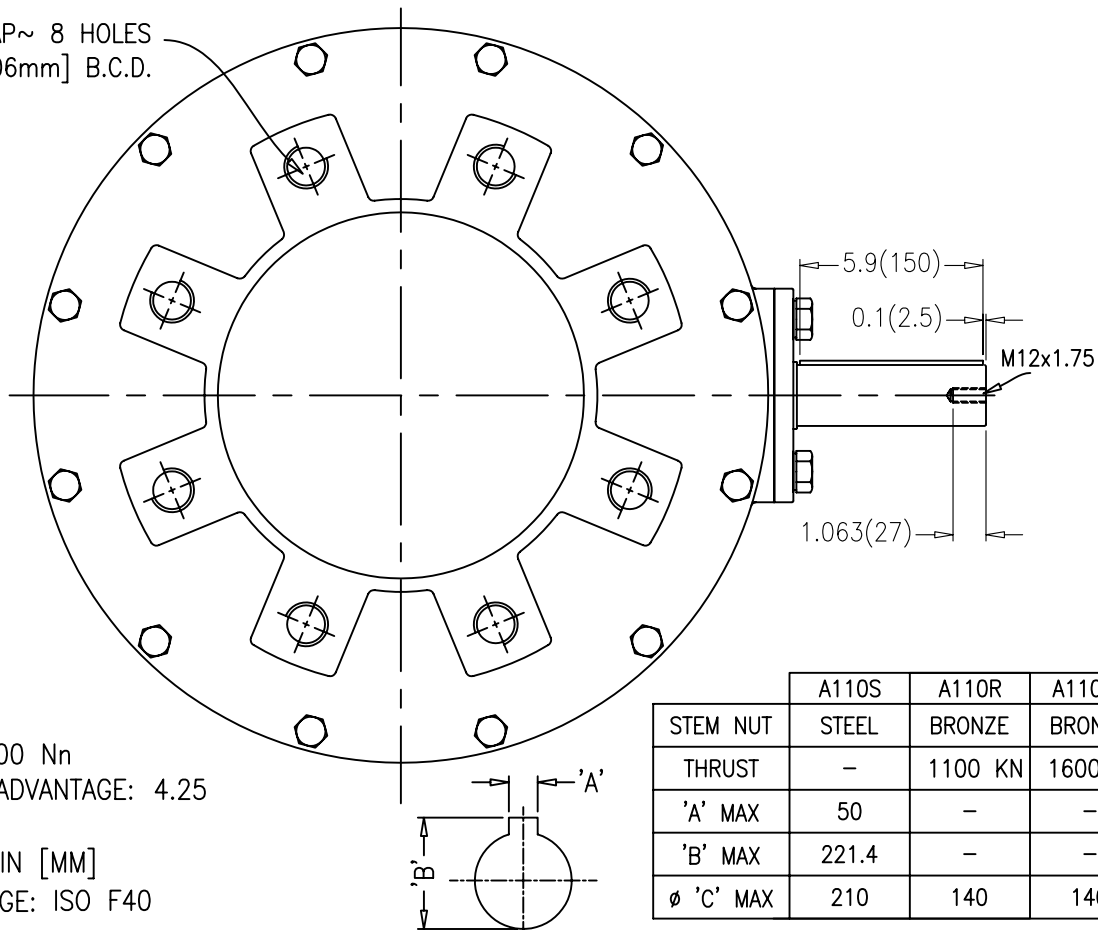


# A110 BEVEL GEAR ISO



M36 TAP~ 8 HOLES  
ON A 16.00[406mm] B.C.D.



**NOTES:**

1. TORQUE: 16000 Nn
2. MECHANICAL ADVANTAGE: 4.25
3. RATIO: 5:1
4. DIMENSIONS: IN [MM]
5. OUTPUT FLANGE: ISO F40

|           | A110S | A110R   | A110RS  |
|-----------|-------|---------|---------|
| STEM NUT  | STEEL | BRONZE  | BRONZE  |
| THRUST    | -     | 1100 KN | 1600 KN |
| 'A' MAX   | 50    | -       | -       |
| 'B' MAX   | 221.4 | -       | -       |
| Ø 'C' MAX | 210   | 140     | 140     |



**COSTRUZIONI MECCANICHE LEGNANESI**

**MASTERGEAR**

DIVISION OF REGAL-BELOIT CORPORATION  
5466 EAST ROCKTON RD. SOUTH BELOIT, IL 61080

THIS DRAWING/DESIGN IS THE PROPERTY OF MASTERGEAR. AND MUST NOT BE USED WITHOUT THEIR SPECIFIC WRITTEN CONSENT. ©

DO NOT SCALE  
APPROVED BY  
LD

DRAWING No.  
**A110 ISO**  
REV.0  
16-04-03