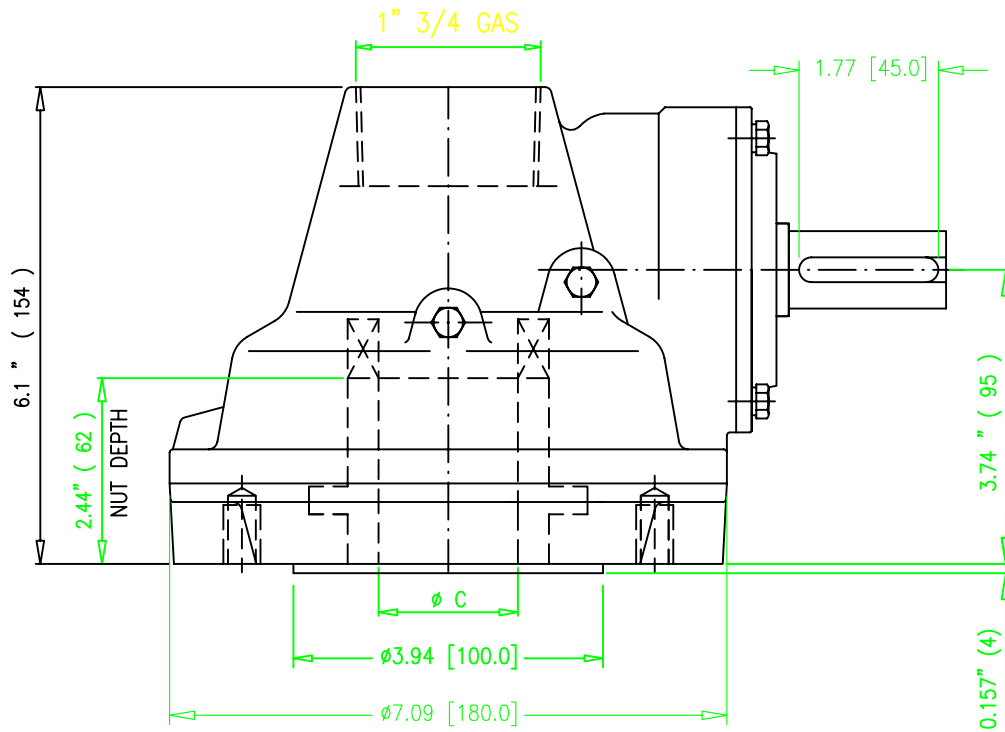
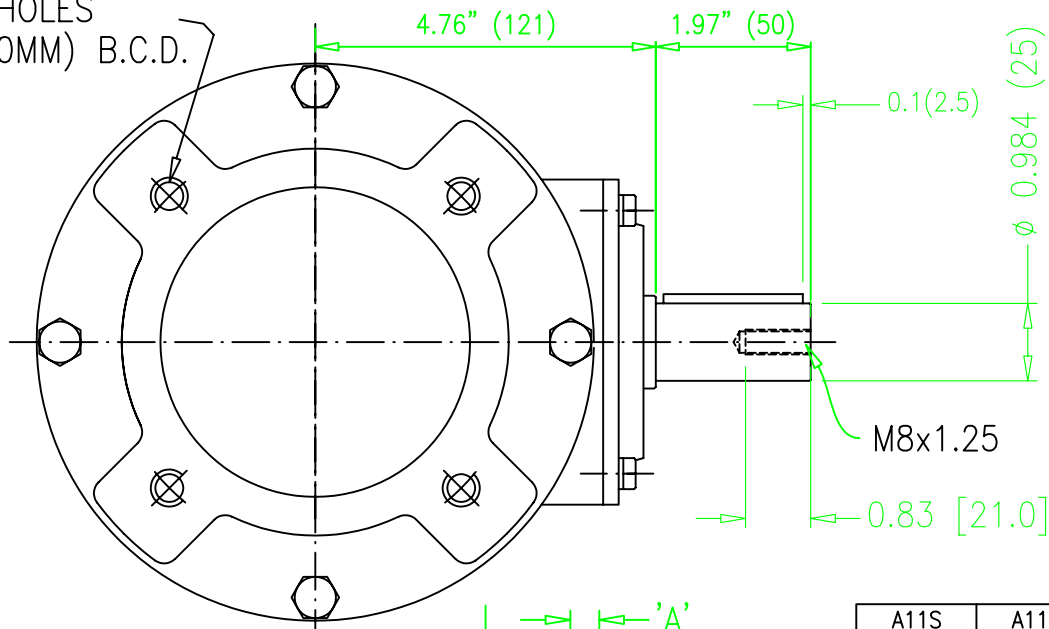


# A11 BEVEL GEAR ISO

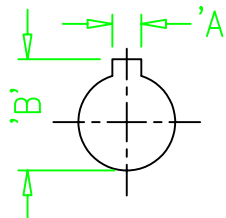


M16 TAP ~ 4 HOLES  
ON A 5.50 (140MM) B.C.D.



## NOTES:

1. TORQUE: 500 Nm
2. MECHANICAL ADVANTAGE: 1.29
3. RATIO: 1.52:1
4. DIMENSIONS: IN [MM]
5. OUTPUT FLANGE: ISO F14



	A11S	A11R
STEM NUT	STEEL	BRONZE
THRUST	-	100 KN
'A' MAX	14	-
'B' MAX	53.8	-
Ø 'C' MAX	50	45



**COSTRUZIONI MECCANICHE LEGNANESI**

**MASTERGEAR**

DIVISION OF REGAL-BELOIT CORPORATION  
5466 EAST ROCKTON RD. · SOUTH BELOIT, IL 61080

THIS DRAWING/DESIGN IS THE PROPERTY OF MASTERGEAR. AND MUST NOT BE USED WITHOUT THEIR SPECIFIC WRITTEN CONSENT. ©

DO NOT SCALE

DRAWING No.  
**A11 ISO**

APPROVED BY  
LD

REV.0  
16-04-03