

DM20 SERIES SPRING RETURN CARTRIDGES

The MASTERGEAR DM20 series is a spring return lever for manually operated valves. The spring returns valves to their fail-safe position when the lever is released

DAMPENED LEVER SPEED

The MASTERGEAR DM20 features a unique dampened spring that reduces lever return speed and the potentially dangerous snap action, minimizing risk to the operator.

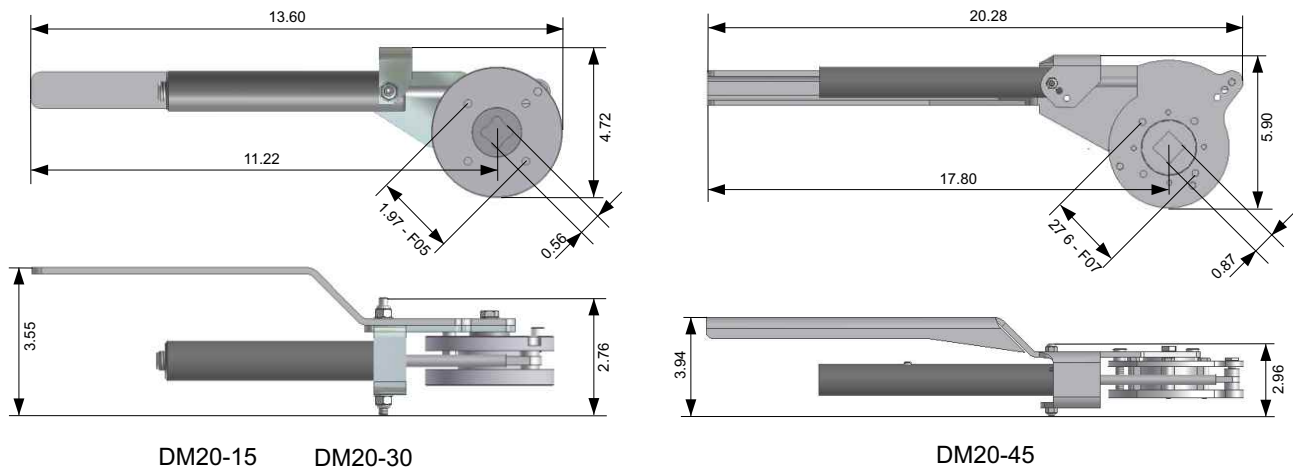
ENVIRONMENT

The MASTERGEAR DM20 series is constructed with corrosion resistant materials for applications in harsh environments.

STANDARDIZED MOUNTING

The DM20 mounting pattern conforms to the international dimensional standard ISO 5211 maximizing interchangeability and reduced hardware requirements

DIMENSION - inch

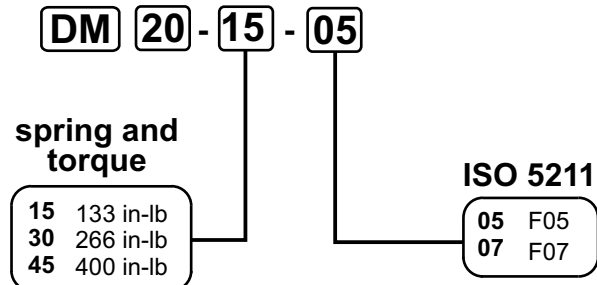


MATERIALS

- Body : anodized aluminium
- Lever : stainless steel
- Screws and nuts : stainless steel
- Shaft : nickel plated carbon steel



ORDERING GUIDE



A REGAL-BELOIT COMPANY
 5466 EAST ROCKTON RD. SOUTH BELOIT, IL 61080
 Phone: 800-722-7643
www.mastergearworldwide.com

B10004-U-DM20-R3 MASTERGEAR reserves the right to change without notice