

# DM10 ( SERIES SPRING RETURN CARTRIDGES )

The MASTERGEAR DM10 series "dead man" Spring Return cartridges are used on manually operated valves to ensure that a fail safe position is achieved. The hand wheel is used to manually operate the valve and when the operator releases the hand wheel the spring return cartridge will automatically stroke the valve to the failsafe position.

## HAND WHEEL OPERATOR

A hand wheel is utilized to prevent safety risks that are associated with spring return lever operators.

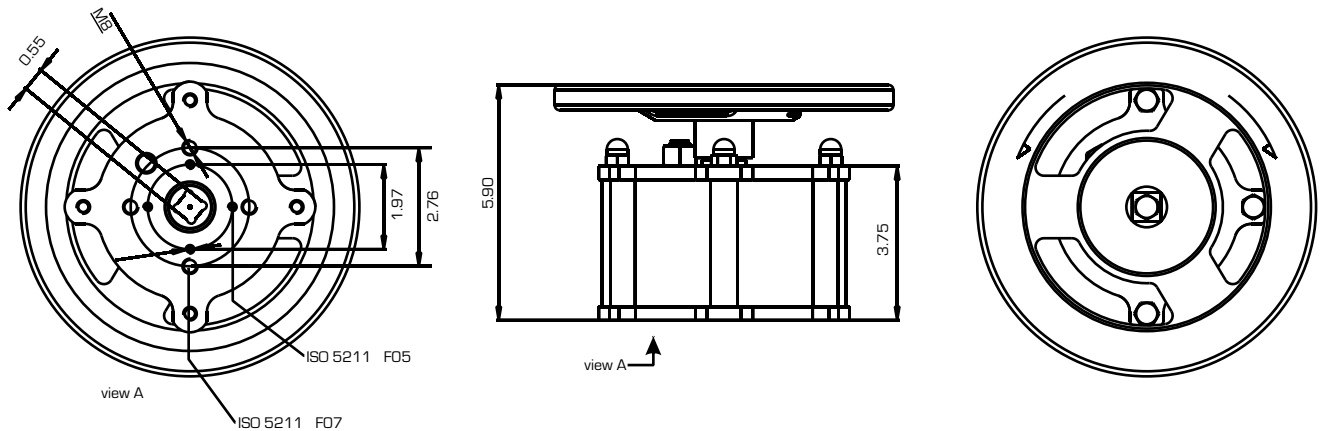
## ENCLOSED WEATHER PROOF HOUSING

The spring, pinion and limit stops are fully enclosed in an aluminium and steel housing. This provides a rugged enclosure with environmental protection and also provides protection for the operator.

## STANDARDIZED MOUNTING

Housing mounting pattern conforms to the international dimensional standard ISO 5211. This maximizes interchange ability and simplifies mounting hardware requirements.

## DIMENSION inch

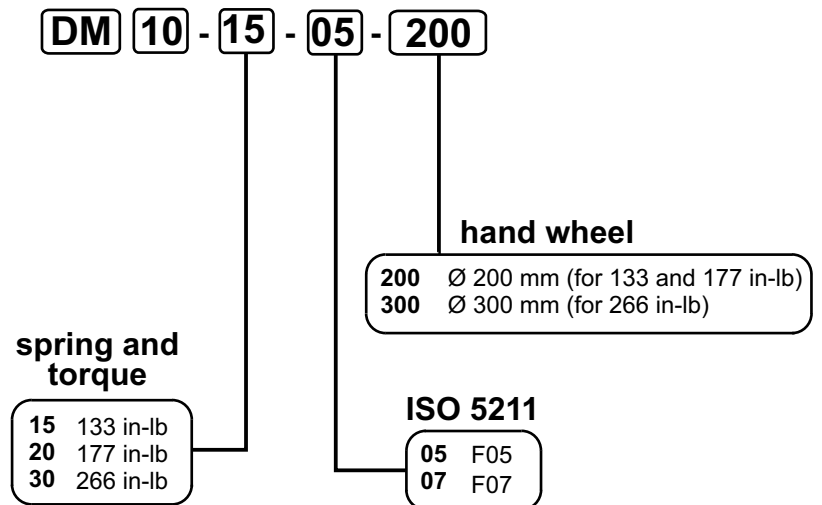


## MATERIALS

- Body : anodized aluminium
- End caps & Shaft: nickel plated carbon steel
- Spring : spring steel
- Bushing : delrin
- Seals : buna N



## ORDERING GUIDE



A REGAL-BELOIT COMPANY  
 5466 EAST ROCKTON RD. SOUTH BELOIT, IL 61080  
 Phone: 800-722-7643  
[www.mastergearworldwide.com](http://www.mastergearworldwide.com)

B10003-U-DM10-R1 MASTERGEAR reserves the right to change without notice