

NV NAMUR AIR LOCK AND BYPASS VALVES

NV42L AIR LOCK

NV42L Air Lock is a 4 way (2 in 2 out) 2 position lever operated valve for double acting and spring return actuators. When the plunger is depressed, air passes freely from the supply line to the pneumatic actuator. When the plunger is extended, the air is locked inside the pneumatic actuator. Typical application is to lock valve in position in case of line maintenance or in case of solenoid test or repair without moving the actuator.

NV42L Air Lock is designed to be wafer mounted between a NAMUR solenoid valve and NAMUR actuator eliminating costly tubing and fittings (available NP1/4 threaded adapter can be installed directly on air inlets in order to obtain 1/4" npt threaded inlet ports).

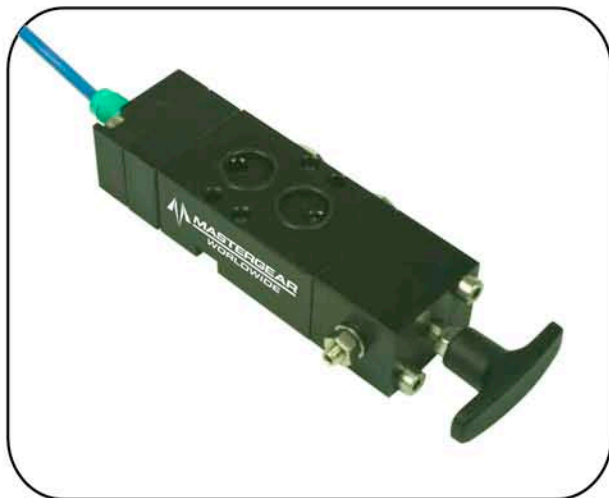
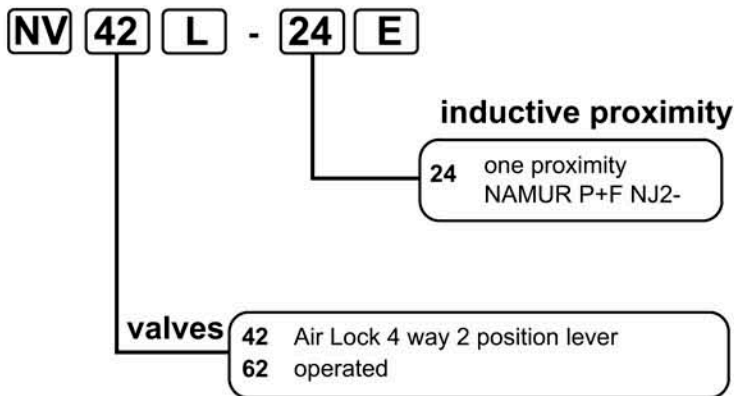
NV62L BYPASS

NV62L Bypass is a 6 way 2 position lever operated valve for double acting and spring return actuators. When the plunger is depressed, air passes freely from the supply line to the pneumatic actuator. When the plunger is extended, the supply air is locked out from the pneumatic actuator at the same time NV62L vents the internal pressure from the actuator to the atmosphere.

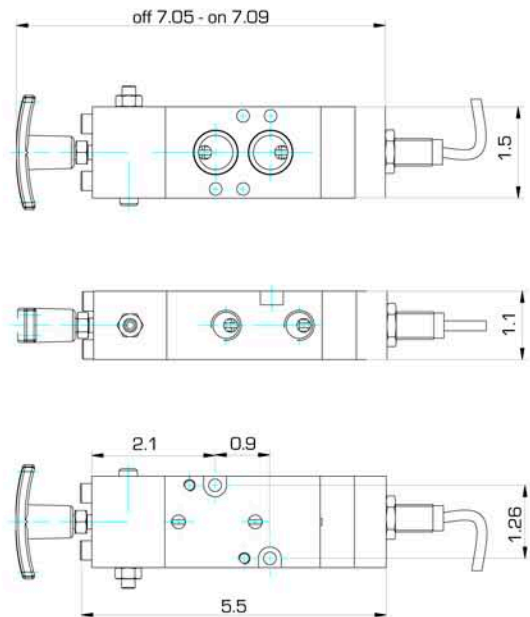
Typical application is in combination with declutchable gear overrides in order to exhaust air from actuator before manually operating the valve.

NV62L Bypass is designed to be wafer mounted between a NAMUR solenoid valve and NAMUR actuator eliminating costly tubing and fittings (available NP1/4 threaded adapter can be installed directly on air inlets in order to obtain 1/4" npt threaded inlet ports).

STANDARD OPTIONS AVAILABLE - Nomenclature



DIMENSION inch



TECHNICAL SPECIFICATION

Temperature range	: -4°F (-20°C) +176°F (+80°C)
Max pressure	: 116 psi (8 bar)
Media	: dry or lubricated non-corrosive gas compatible with nitrile seals
Nominal bore	: 0.23 inch (6 mm)

MATERIALS

Body	: anodized aluminium
Screws	: stainless steel
Shaft	: stainless steel
Seals	: nbr



A REGAL-BELOIT COMPANY
 5466 EAST ROCKTON RD. SOUTH BELOIT, IL 61080
 Phone: 800-722-7643
 www.mastergearworldwide.com