

BOLT PROXIMITY SWITCH

The MASTERGEAR BOLT series proximity sensor provides a compact design and the most economical solution for remote electrical indication of linear and rotary valve /actuator position. The rugged design provide maximum application versatility.

RUGGED DESIGN

The BOLT offers a unique cost advantage because no lead seal is required. To accomplish this the BOLT sensor was subjected to a 6000 psi hydrostatic test and the UL aggressive chemical vaport test.

STANDARD MOUNTING

The BOLT switch utilizes industry standard 5/8-18 UNF threads and each sensor is provided with two heavy-duty jam nuts. The BOLT sensor can be mounted with standard brackets or brackets can be customized to suit specific applications.

HOUSING MATERIALS

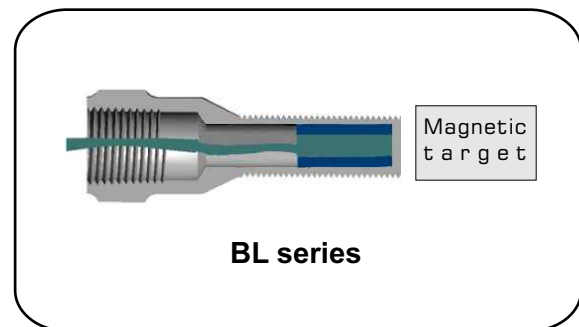
BOLT proximity switch are manufactured in a heavy duty housing made of 303 or 316 stainless steel. The rugged design make the BOLT series the ideal proximity switch for use in hostile environments.

PRE-WIRED

Each BOLT switch is provided with standard 18" flying leads. Longer lead lengths are available upon request.

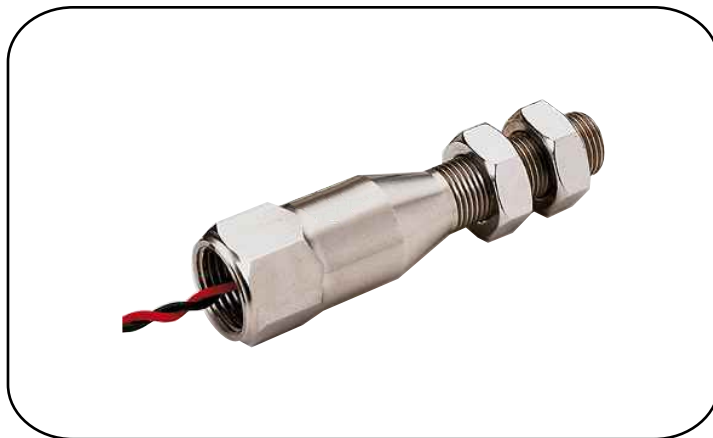
TARGET REQUIRED

BOLT switch is provided with a magnetic target to ensure a positive trip. Only the magnetic target will trip the switch, potential false tripping from ferrous material is eliminated.



SWITCH OPTIONS

The BOLT proximity switch can be provided with SPST Bifurcated Reed Switches with contacts significantly enhance for performance on low current (<50mA) applications and SPDT and DPDT Reed Switches that offer the most economical choice for general-purpose applications. Reed switches are double potted for maximum environmental protection.



RATINGS

Temperature range:
Standard : -4°F +185°F
Optional : -40°F +212°F

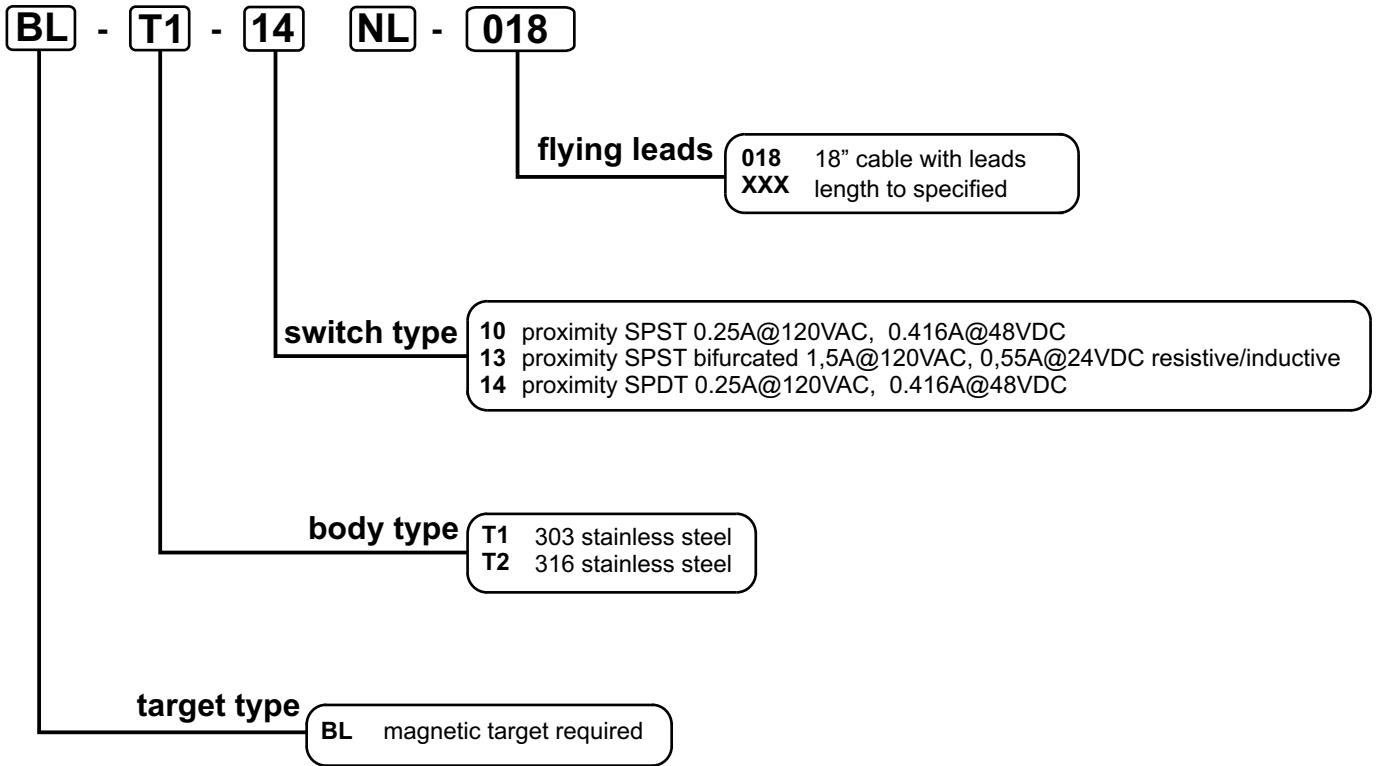
APPROVALS

Class I Division 1 Groups A, B, C, D
Class II Division 1 Groups E, F, G
Class III Division 1 Hazardous Location

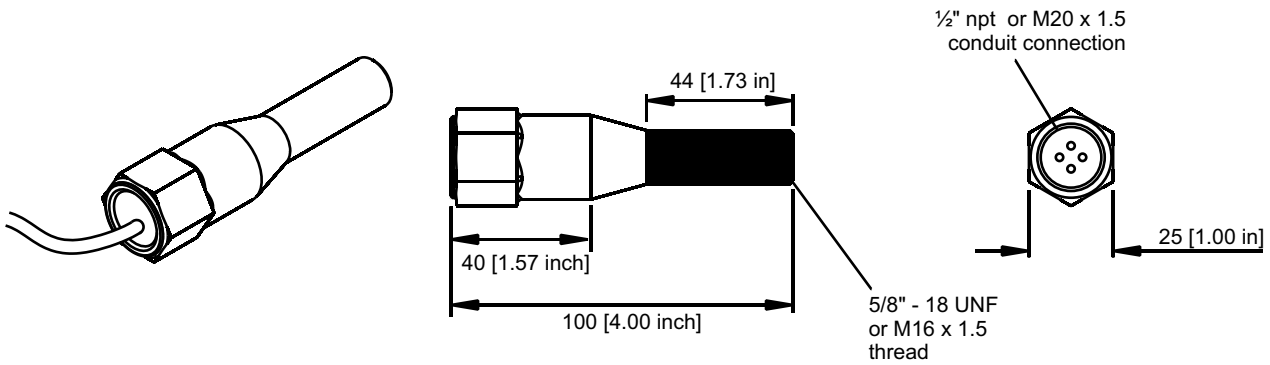


A REGAL-BELOIT COMPANY
5466 EAST ROCKTON RD. SOUTH BELOIT, IL 61080
Phone: 800-722-7643
www.mastergearworldwide.com

STANDARD OPTIONS AVAILABLE - Nomenclature



DIMENSION mm - inch



MASTERGEAR reserves the right to change without notice

B02038-U-BOLT-R1



A REGAL-BELOIT COMPANY
5466 EAST ROCKTON RD. SOUTH BELOIT, IL 61080
Phone: 800-722-7643
www.mastergearworldwide.com