

# XA SERIES LIMIT SWITCH BOX

The MASTERGEAR XA series hazardous location limit switch provides a compact design and cost effective solution for both visual and remote electrical indication of rotary valve/actuator position. The heavy-duty design and wide variety of options make the XA series the ideal multi-purpose limit switch for use in NEMA 4, 4X, 7 & 9 applications.

## EXPLOSION PROOF AND WEATHER PROOF

XA series is UL and CUL listed NEMA 4, 4X, 7 & 9 and ATEX explosion proof  $\text{Ex}$  II 2D/G EEx d IIB T4/T5/T6 and weather proof IP67.

## ALUMINIUM HOUSING

The dichromated die cast aluminum enclosure is polyester powder coating with a stainless steel shaft, making the this unit ideal for use in hostile environments. Housings include captive cover screws to permit calibration without potential for losing screws.

## HIGH VISIBILITY 3D POSITION INDICATOR

The environmentally-sealed 3D indicator provides visual confirmation of valve/actuator position. Options include 3D indicators for L and T port 3-way valves.

## JUNCTION BOX

Switches are factory wired to Printed Circuit Boards to simplify installation and maintenance. Each PCB terminal strip includes spare terminals to accomodate optional solenoid valves. This feature provides a significant cost saving by eliminating the need for a separate junction box and associated labor.

## HIGH RESOLUTION SPLINED CAMS

Easy-Set cams are splined, spring loaded and independently adjustable. This design offers tool free calibration and positive vibration resistant engagement.

## SWITCH OPTIONS

XA series can be provided with different types of switches: SPDT or DPDT electromechanical silver plated or gold plated contacts; cylindrical, V3 or slot type inductive proximity NPN or PNP; SPDT or DPDT magnetic proximity; NAMUR proximity switches for intrinsically safe applications. AS-i digital communication interface card, 3-position dribble control or 2 wire 4-20mA current position transmitter.

## STANDARDIZED MOUNTING

Housing conforms to international dimensional standards with NAMUR VDI/VDE3845 output shaft dimensions and ISO F05 bolt hole locations. This maximizes interchangeability plus reduces cost by eliminating need for switch/actuator coupler. A complete range of stainless steel mounting kits to fit XAB both on pneumatic actuators (standardized or not) and on lever operated valves are available.

## TWIN-SHAFT DESIGN

The primary shaft is located in the housing base and connects to a mating shaft located in the hosing cover. This unique Twin-Shaft feature allows easy and accurate housing assembly by eliminating the blind-hole configuration associated with competitive switch boxes. This also minimizes clearance requirements for cover removal and reinstallation.



## MATERIALS

Body and cover : die cast, dichromated and polyester powder coated aluminium  
Indicator dome : UV resistant and V0 polycarbonate  
Shaft : stainless steel  
Fasteners : stainless steel

## RATINGS

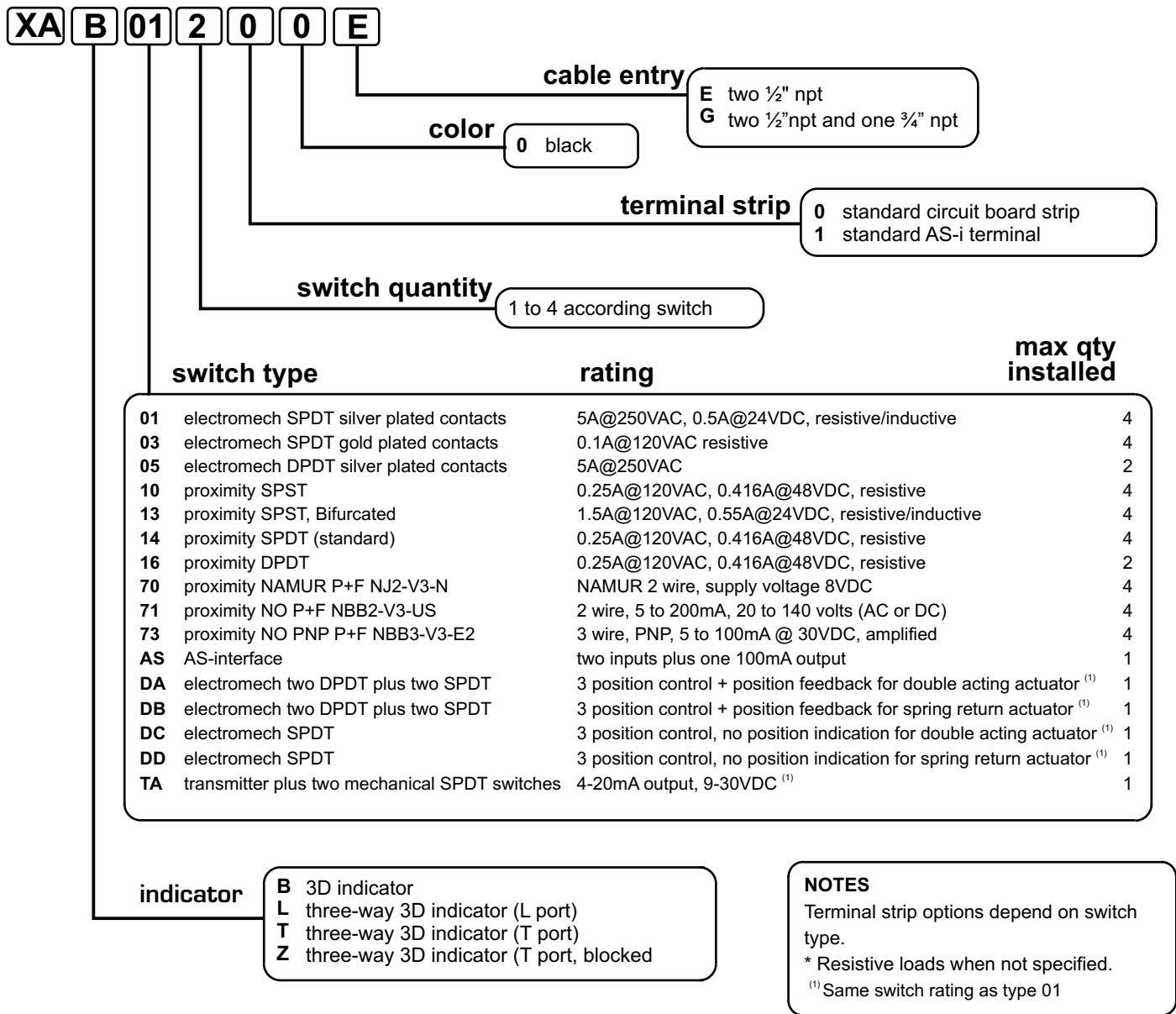
Operating temperature range -13°F (-25°C) +176°F (+80°C)  
Temp. range may vary due to switch range and switch approvals  
Electrical: according to switch option



A REGAL-BELOIT COMPANY  
5466 EAST ROCKTON RD. SOUTH BELOIT, IL 61080  
Phone: 800-722-7643  
[www.mastergearworldwide.com](http://www.mastergearworldwide.com)

# XA SERIES LIMIT SWITCH BOX

## ORDERING GUIDE



## SWITCH APPROVALS

CLASS I DIVISION 1 GROUPS C, D

CLASS I DIVISION 2 GROUPS A, B, C, D (proximity sensors only)

CLASS II DIVISION 1 GROUPS E, F, G

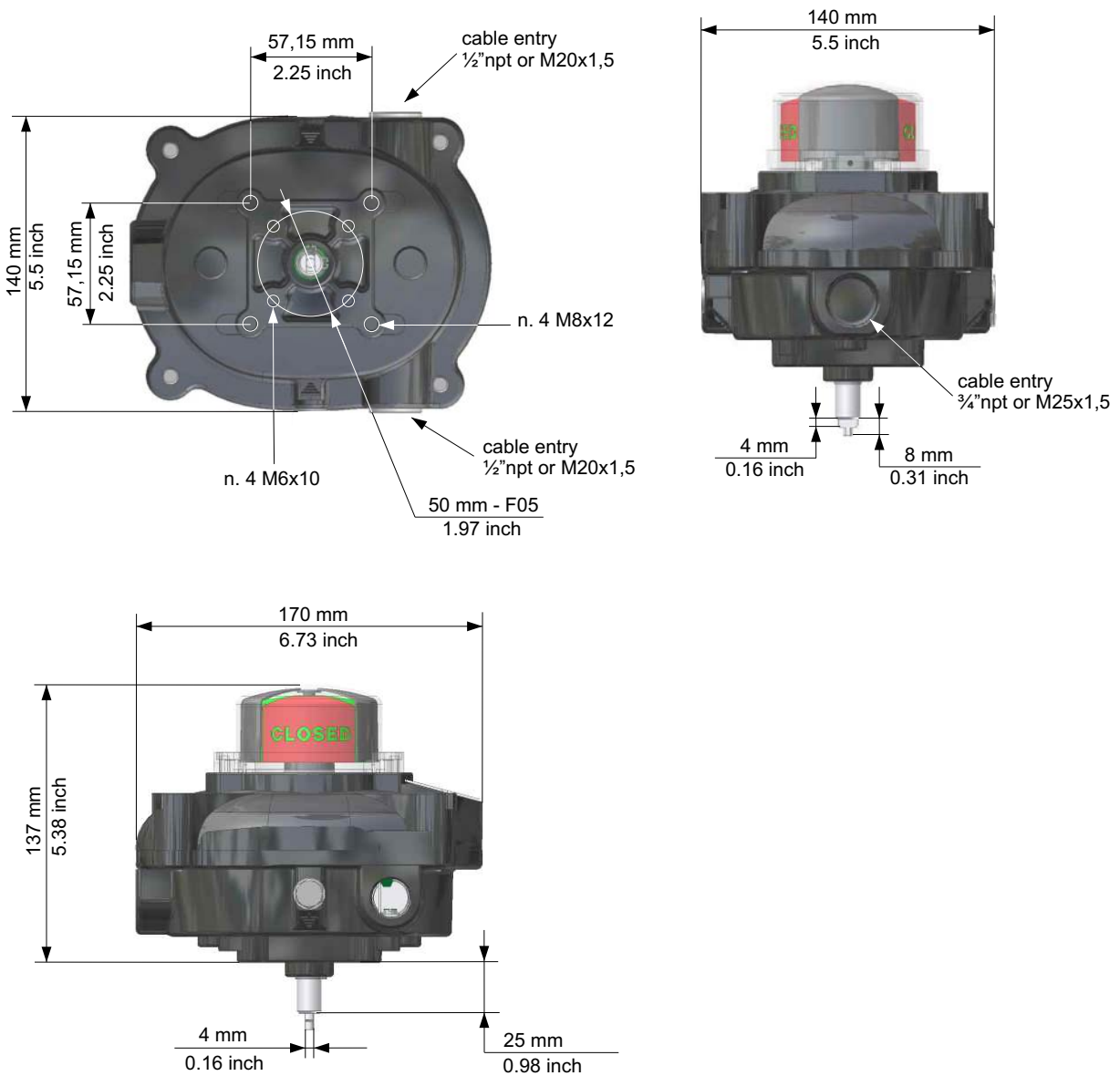
CLASS II DIVISION 2 GROUPS F, G



A REGAL-BELOIT COMPANY  
5466 EAST ROCKTON RD. SOUTH BELOIT, IL 61080  
Phone: 800-722-7643  
www.mastergearworldwide.com

# XA SERIES LIMIT SWITCH BOX

## DIMENSION mm - inch



A REGAL-BELOIT COMPANY  
5466 EAST ROCKTON RD. SOUTH BELOIT, IL 61080  
Phone: 800-722-7643  
[www.mastergearworldwide.com](http://www.mastergearworldwide.com)