

CAF SERIES LIMIT SWITCH BOX

The MASTERGEAR CAF series limit switch box provides a compact design in a heavy duty housing for remote electrical and visual indication of rotary valve/actuator position. The aluminium body and cover provide a sealed enclosure for rugged applications. A wide variety of options make the CAF series the ideal limit switch for NEMA 4, 4X weatherproof applications. Hermetically sealed and solid-state switch options also make the CAF series suitable for intrinsically safe applications and Class I & II Division 2 Groups A, B, C, D, F & G hazardous applications.

WEATHER PROOF

Nema 4, 4X and IP67 weather proof enclosure.

CORROSION RESISTANT HOUSING

The CAF series housing is dichromated die cast aluminum and polyester powder coated both internally and externally and is provided with a stainless steel shaft and hardware to ensure superior corrosion resistance.

HIGH VISIBILITY 3D POSITION INDICATOR

The CAF's large environmentally-sealed polycarbonate dome with green and red 3D rotor provides high visibility of valve/actuator open and closed position.

JUNCTION BOX

The CAF series has spare terminals for optional external solenoid valves eliminating the need for additional junction boxes and associated labor

HIGH RESOLUTION SPLINED CAMS

Easy-Set cams are splined, spring loaded and independently adjustable. This design offers tool free calibration and positive vibration resistant engagement.

SWITCH OPTIONS

CAF series can be provided with different types of switches: SPDT or DPDT electromechanical silver plated or gold plated contacts; cylindrical, V3 or slot type inductive proximity NPN or PNP; SPDT or DPDT magnetic proximity; NAMUR proximity switches for intrinsically safe applications. AS-i digital communication interface card, 3-position dribble control, 2 wire 4-20mA current position transmitter and pneumatic 3 way valves. An anti-condensation 24V resistor is available on request.

STANDARDIZED MOUNTING

Housing conforms to international dimensional standards with NAMUR VDI/VDE3845 output shaft dimensions and ISO F05 bolt hole locations. This maximizes interchangeability plus reduces cost by eliminating need for switch/actuator coupler. A complete range of stainless steel mounting kits to fit CAF both on pneumatic actuators and on lever operated valves are available.

SST SHAFT MOUNTED ON BEARINGS

CAF series provides a unique Twin-Shaft design, one shaft is sealed and fitted into body and another shaft is fitted and sealed into cover. This feature allows an easy and fast cover removal without need of indicator adjustment every time cover is removed and minimizes clearance requirements for cover removal and reinstallation. No metal to metal contact between body and rotating shaft warrants a very low torque.



MATERIALS

Body and cover : die cast, dichromated and polyester powder coated aluminium
Indicator dome : UV resistant and V0 polycarbonate
Shaft : stainless steel
Fasteners : stainless steel

RATINGS

Temperature range: standard +32°F (0°C) +176°F (+80°C)
Temp. range may vary due to switch range
Low temp. and high temp. execution available on request
Electrical: according to switch option
Consult "B02003-3-E" bulletin for switch rating



A REGAL-BELOIT COMPANY
5466 EAST ROCKTON RD. SOUTH BELOIT, IL 61080
Phone: 800-722-7643
www.mastergearworldwide.com

CAF SERIES LIMIT SWITCH BOX

ORDERING GUIDE

CA F 01 2 0 0 E

cable entry E two 1/2" npt

color 0 black

terminal strip
 0 standard circuit board strip
 1 standard AS-i terminal
 2 connections

switch quantity
 1 to 4 according switch

SWITCH APPROVALS

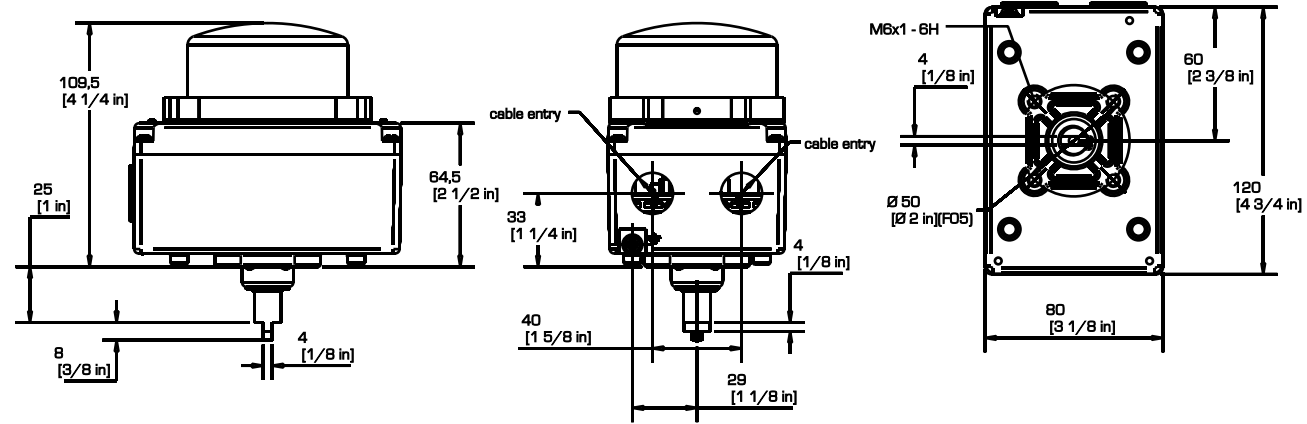
MECHANICAL SWITCHES
 Are suitable for general purpose applications. Gold plated versions can also be used on intrinsically safe applications.

MAGNETIC PROXIMITY SWITCHES
 Are suitable for intrinsically safe applications and also hazardous locations CLASS I & II DIVISION 2 GROUPS A, B, C, D, F & G

| switch type | rating | max qty. installed |
|--|--|--------------------|
| 01 electromech SPDT silver plated contacts | 5A@250VAC, 0.5A@24VDC, resistive/inductive | 3 |
| 03 electromech SPDT gold plated contacts | 0.1A@120VAC resistive | 3 |
| 05 electromech DPDT silver plated contacts | 5A@250VAC, 1/4HP@125VAC, resistive/inductive | 3 |
| 10 proximity SPST | 0.25A@120VAC, 0.7A@42VAC, resistive | 3 |
| 13 proximity SPST, Bifurcated | 1.5A@120VAC, 0.55A@24VDC, resistive/inductive | 3 |
| 14 proximity SPDT (standard) | 0.25A@120VAC, 0.416A@48VDC, resistive | 3 |
| 16 proximity DPDT | 0.25A@120VAC, 0.416A@48VDC, resistive | 3 |
| 70 proximity NAMUR P+F NJ2-V3-N | NAMUR 2 wire, supply voltage 8VDC | 2 |
| 71 proximity NO P+F NBB2-V3-US | 2 wire, 5 to 200mA, 20 to 140 volts (AC or DC) | 2 |
| 73 proximity NO PNP P+F NBB3-V3-E2 | 3 wire, PNP, 5 to 100mA @ 30VDC, Amplified | 2 |
| AS AS-interface | two inputs plus one 100mA output | 1 |
| TA transmitter plus two mechanical SPDT switches | 4-20mA output, 9-30VDC plus switch rated same as type 01 | 1 |

indicator
 F 3D indicator
 G three-way 3D indicator (L port)
 H three-way 3D indicator (T port)

DIMENSION mm - inch



A REGAL-BELOIT COMPANY
 5466 EAST ROCKTON RD. SOUTH BELOIT, IL 61080
 Phone: 800-722-7643
 www.mastergearworldwide.com

B020030-E-CAF-R2 MASTERGEAR reserves the right to change without notice