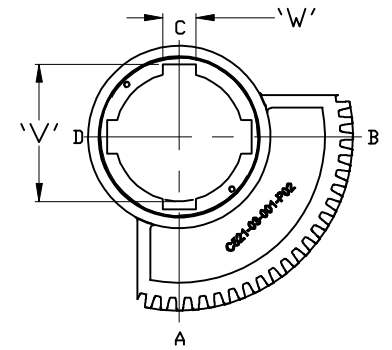
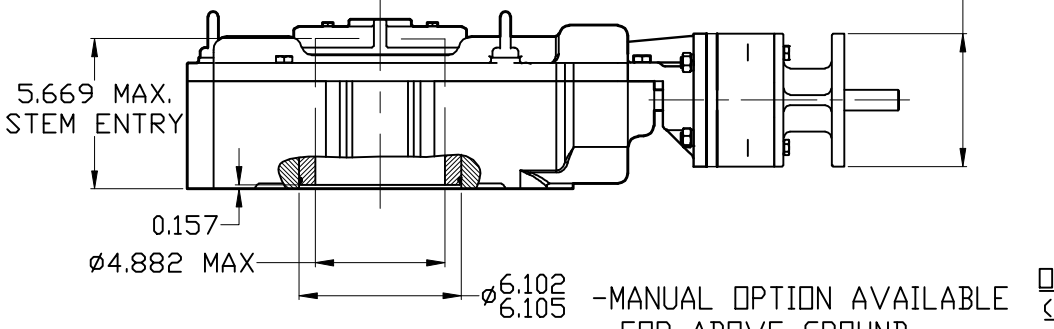
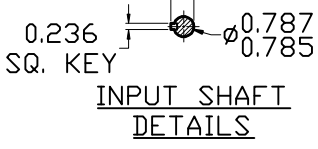
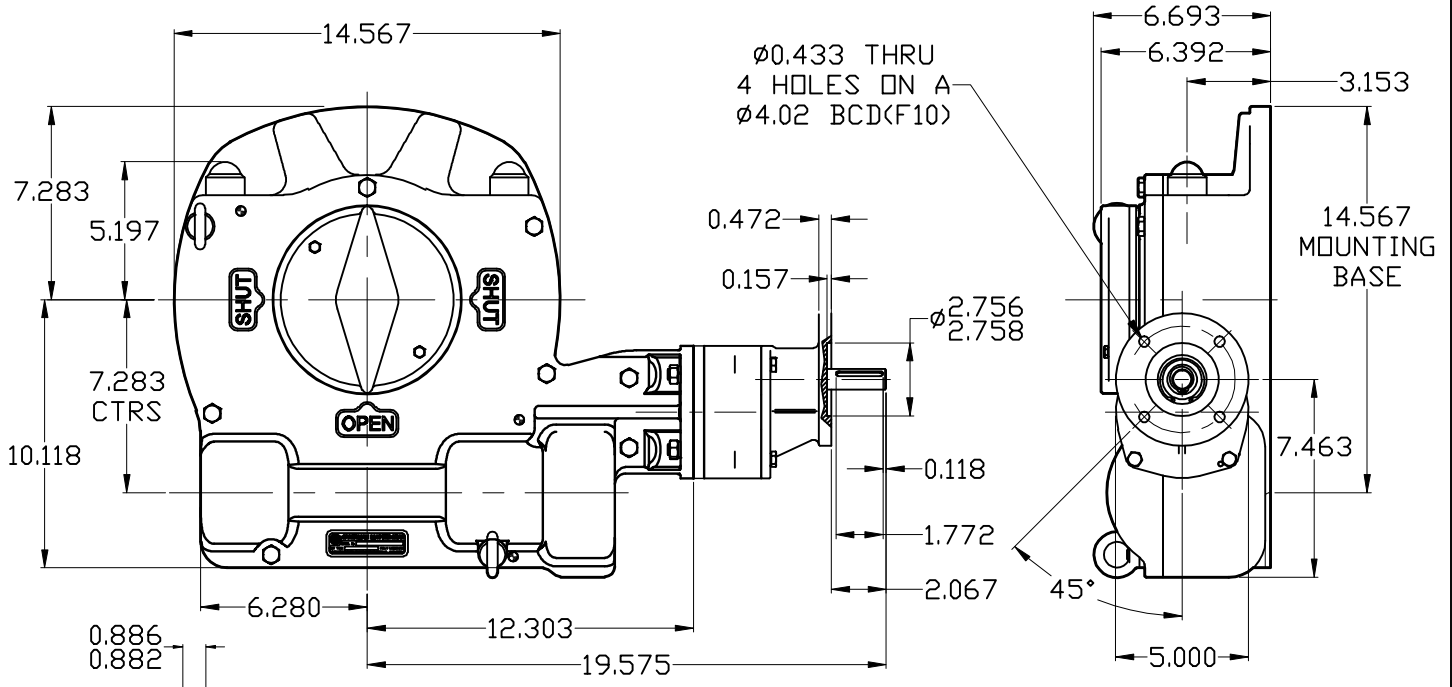


ACTUATOR: MF30/SI3.5/F10

SLO39



GENERAL INFORMATION

TRAVEL.....90° ±5° AT BOTH ENDS MECHANICAL ADVANTAGE.....326.7 ±10%
 RATIO.....1081.9:1 MAXIMUM OUTPUT TORQUE(5000 CYCLES)..96000 IN-LBS
 TURNS TO CLOSE.....270.55 MAXIMUM INPUT TORQUE(5000 CYCLES).....294 IN-LBS

MOUNTING HOLE DETAIL: PREFERRED....FA30 (8 x 3/4-10 ON 11.75" BCD)
 (MSS SP-101) MAXIMUM.....FA30
 MINIMUM.....FA19 (8 x 5/8-11 ON 7.50" BCD)

APPROXIMATE WEIGHT.....218.79 LB



 DIMENSIONS IN INCHES	SCALE	DRAWING No.
	1:7	MF30/SI3.5/ F10

THIS PRINT IS CONFIDENTIAL AND IS THE PROPERTY OF MASTERGEAR. THIS PRINT SHALL NOT BE USED,
 COPIED OR REPRODUCED IN WHOLE OR IN PART NOR SHALL THE CONTENTS BE REVEALED IN ANY
 MANNER TO ANYONE UNLESS WRITTEN PERMISSION IS OBTAINED FROM MASTERGEAR.

NJC

REV. -
-