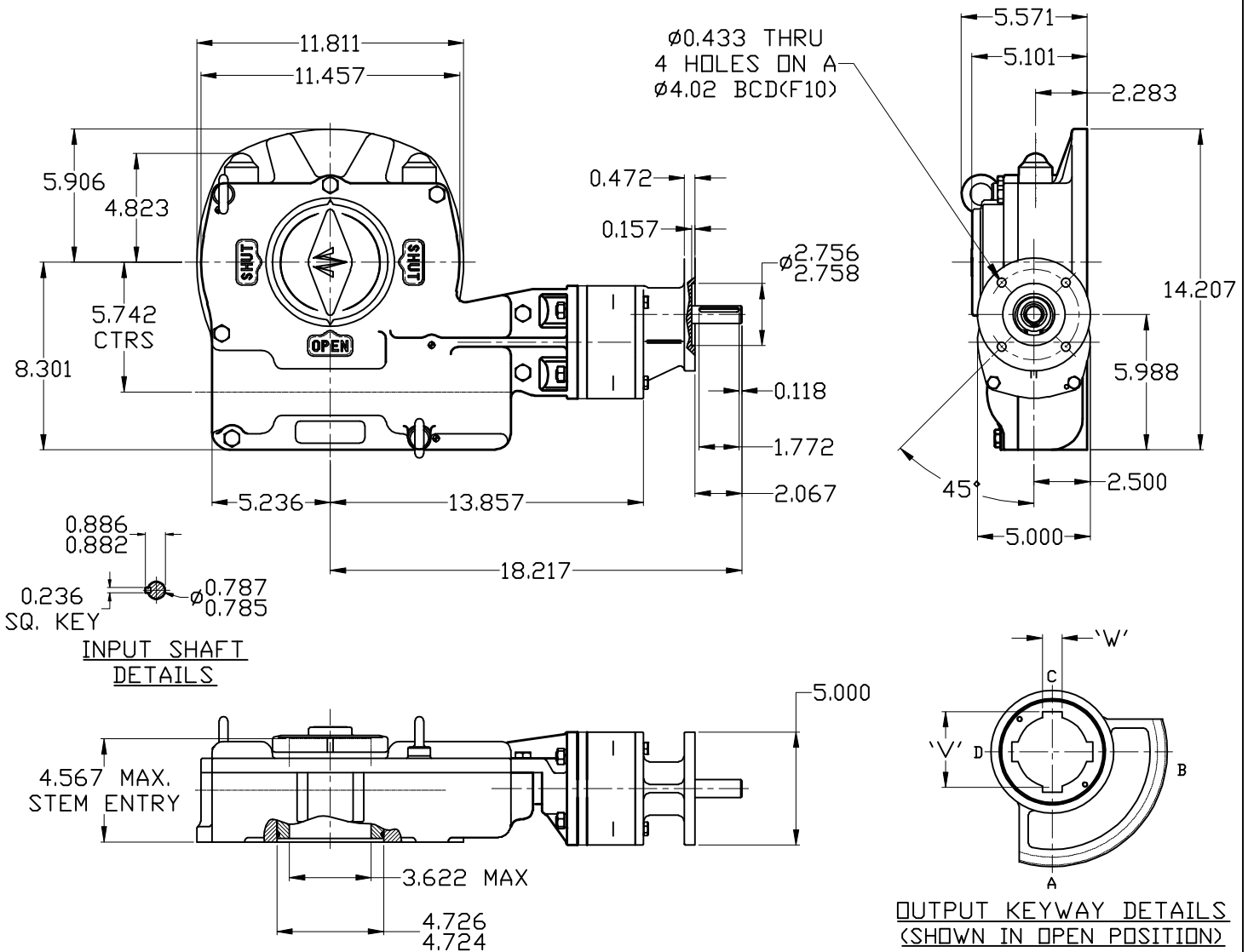


# ACTUATOR: MF20/SI3.5/F10

# SLO39



-MANUAL OPTION AVAILABLE FOR ABOVE  
GROUND APPLICATION: 10" MAX H.W.

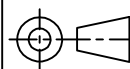
## GENERAL INFORMATION

TRAVEL.....90° ±5° AT BOTH ENDS  
RATIO.....640.5:1  
TURNS TO CLOSE...160.13

MECHANICAL ADVANTAGE..188.1 ±10%  
MAX. OUTPUT TORQUE(5000 CYCLES)...58650 IN-LBS  
MAX. INPUT TORQUE(5000 CYCLES)...312 IN-LBS

MOUNTING HOLE DETAIL: PREFERRED...FA25 (8 × 5/8-11 ON 10.00" BCD)  
(MSS SP-101) MAXIMUM.....FA25 (8 × 5/8-11 ON 10.00" BCD)  
MINIMUM.....FA16 (4 × 3/4-10 ON 6.50" BCD)

APPROXIMATE WEIGHT.....115.10 LB



DIMENSIONS  
IN  
INCH

SCALE  
1:6

DRAWING  
No.  
MF20/SI3.5/  
F10

THIS PRINT IS CONFIDENTIAL AND IS THE PROPERTY OF MASTERGEAR. THIS PRINT SHALL NOT BE USED,  
COPIED OR REPRODUCED IN WHOLE OR IN PART NOR SHALL THE CONTENTS BE REVEALED IN ANY  
MANNER TO ANYONE UNLESS WRITTEN PERMISSION IS OBTAINED FROM MASTERGEAR.

NJC

REV. -  
-