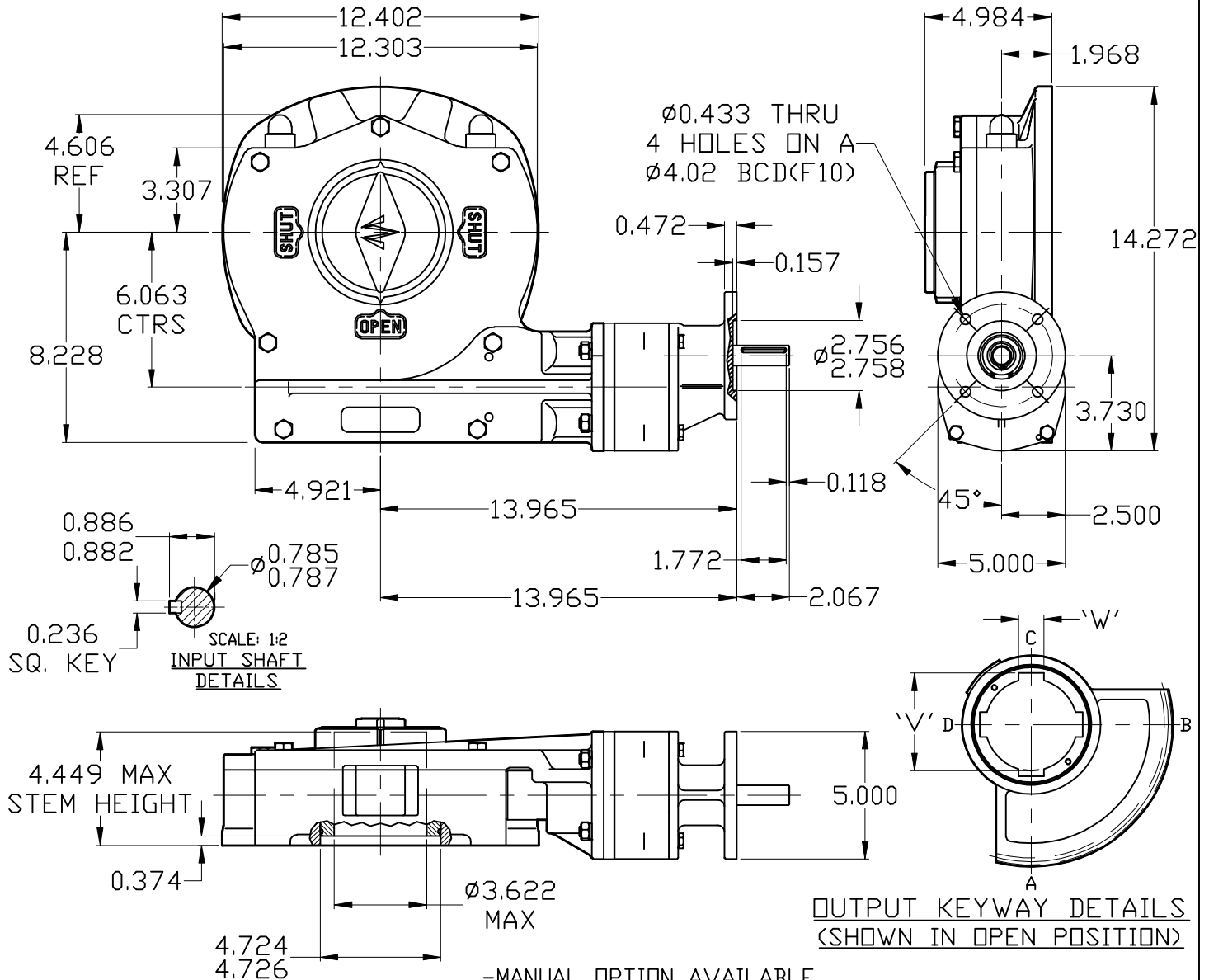


ACTUATOR: MF16/SI3.5/F10

SLO39



-MANUAL OPTION AVAILABLE FOR ABOVE GROUND APPLICATION: 14" MAX H.W.

GENERAL INFORMATION

TRAVEL.....90° ±5° AT BOTH ENDS
 RATIO.....308:1
 TURNS TO CLOSE.....77

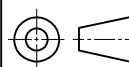
MECHANICAL ADVANTAGE.....87.5 ±10%
 MAXIMUM OUTPUT TORQUE.....39600 IN-LBS
 MAXIMUM INPUT TORQUE.....452 IN-LBS

MOUNTING HOLE DETAIL: PREFERRED....FA16 (4 × 3/4-10 ON 6.50 BCD)
 (MSS SP-101) MAXIMUM.....FA25 (8 × 5/8-11 ON 10.00 BCD)
 MINIMUM.....FA16

APPROXIMATE WEIGHT.....111.34 LB



MASTERGEAR
 A REGAL BELOIT COMPANY
 5466 EAST ROCKTON RD. • SOUTH BELOIT, IL 61080



DIMENSIONS IN INCHES

SCALE
 1:5

DRAWING No.
 MF16/SI3.5/F10

THIS PRINT IS CONFIDENTIAL AND IS THE PROPERTY OF MASTERGEAR. THIS PRINT SHALL NOT BE USED, COPIED OR REPRODUCED IN WHOLE OR IN PART NOR SHALL THE CONTENTS BE REVEALED IN ANY MANNER TO ANYONE UNLESS WRITTEN PERMISSION IS OBTAINED FROM MASTERGEAR.

BSS

REV. B
 9/1/06