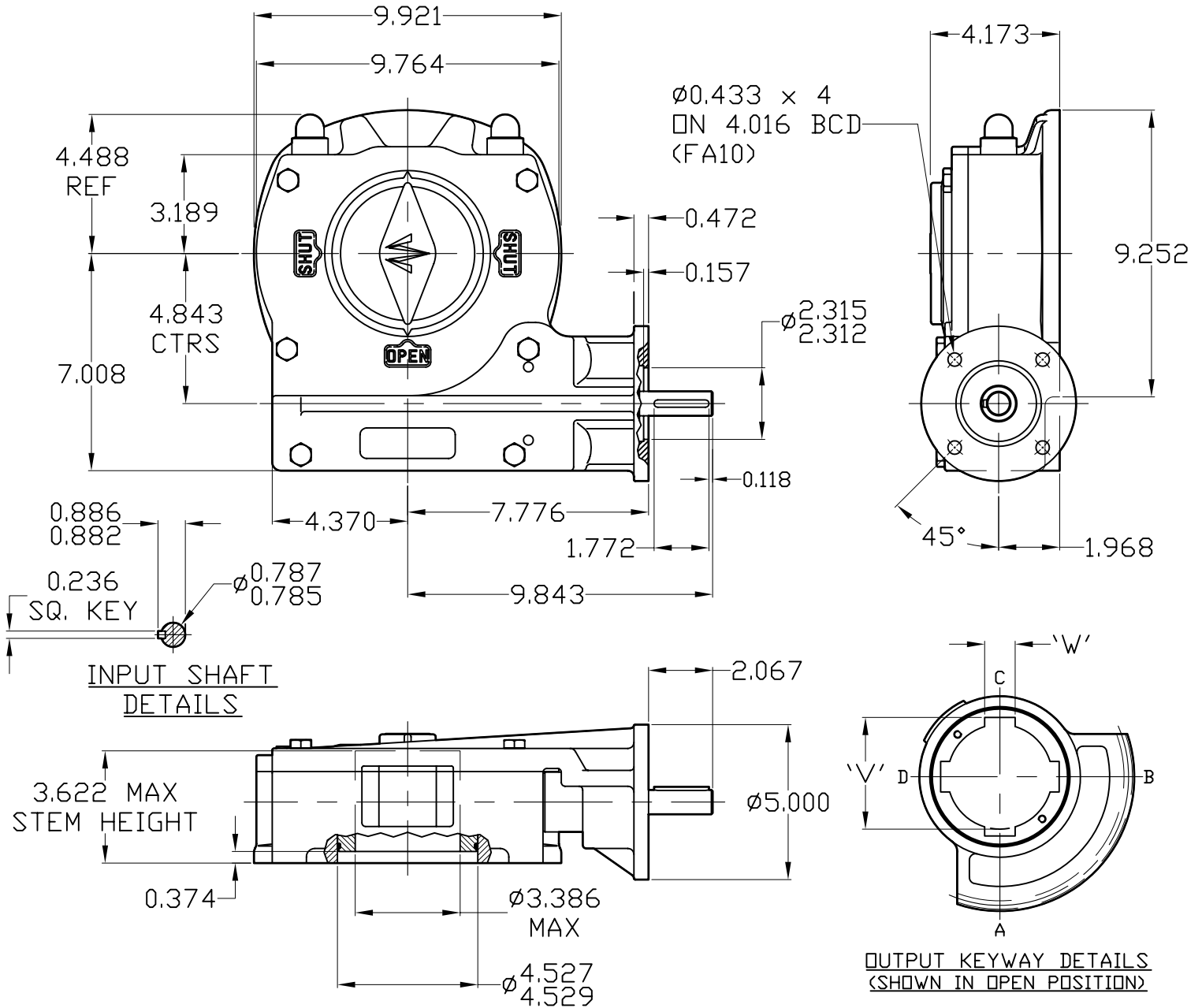


# ACTUATOR: MF15/FA10

# SLO39



## GENERAL INFORMATION

TRAVEL.....90° ±5° AT BOTH ENDS  
 RATIO.....68:1  
 TURNS TO CLOSE.....17

MECHANICAL ADVANTAGE.....20.5 ±10%  
 MAXIMUM OUTPUT TORQUE.....30000 IN-LBS  
 MAXIMUM INPUT TORQUE.....1463 IN-LBS

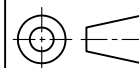
MOUNTING HOLE DETAIL: PREFERRED...FA16 (4 × 3/4-10 ON 6.50" BCD)  
 (MSS SP-101) MAXIMUM.....FA19 (8 × 5/8-11 ON 7.50" BCD)  
 MINIMUM.....FA14 (4 × 5/8-11 ON 5.50" BCD)

APPROXIMATE WEIGHT.....67.24 LB



## MASTERGEAR

A REGAL BELOIT COMPANY  
 5466 EAST ROCKTON RD. · SOUTH BELOIT, IL 61080



DIMENSIONS  
 IN  
 INCHES

SCALE

1:5

DRAWING  
 No.

MF15/FA10

THIS PRINT IS CONFIDENTIAL AND IS THE PROPERTY OF MASTERGEAR. THIS PRINT SHALL NOT BE USED, COPIED OR REPRODUCED IN WHOLE OR IN PART NOR SHALL THE CONTENTS BE REVEALED IN ANY MANNER TO ANYONE UNLESS WRITTEN PERMISSION IS OBTAINED FROM MASTERGEAR.

NJC

REV. A  
 4/5/05