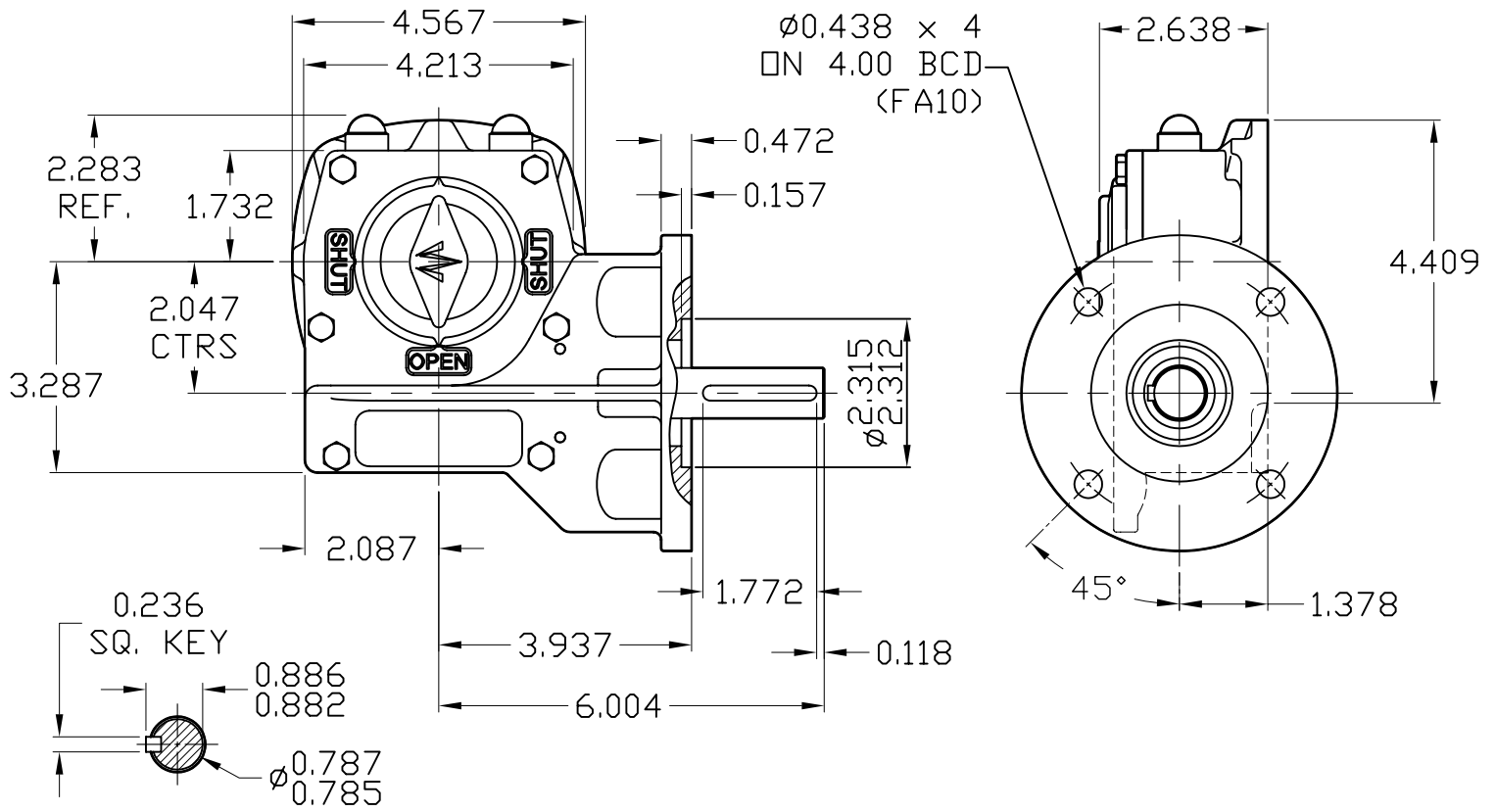
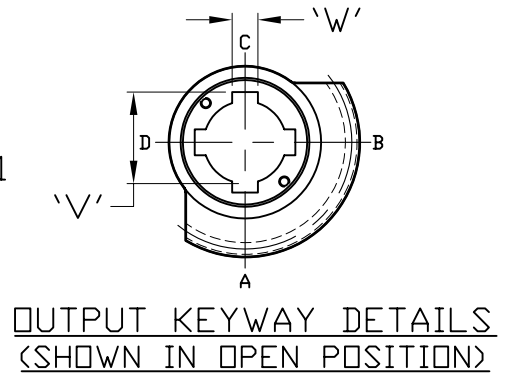
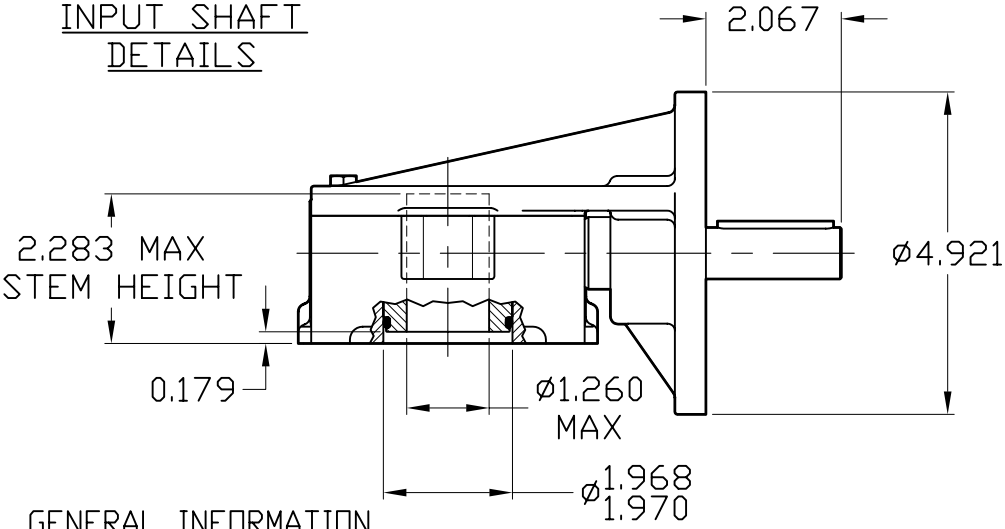


ACTUATOR: MF10/FA10

SLO39



INPUT SHAFT DETAILS



OUTPUT KEYWAY DETAILS (SHOWN IN OPEN POSITION)

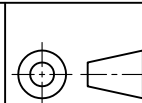
GENERAL INFORMATION

TRAVEL.....90° ±5° AT BOTH ENDS
 RATIO.....40:1
 TURNS TO CLOSE.....10

MECHANICAL ADVANTAGE.....11.0 ±10%
 MAXIMUM OUTPUT TORQUE.....4400 IN-LBS
 MAXIMUM INPUT TORQUE.....400 IN-LBS

MOUNTING HOLE DETAIL: PREFERRED...FA10 (4 x 3/8-16 ON 4.00" BCD)
 (MSS SP-101) MAXIMUM.....FA10
 MINIMUM.....FA07 (4 x 5/16-18 ON 2.75 BCD)

APPROXIMATE WEIGHT.....16.53 LB



DIMENSIONS
IN
INCHES

SCALE

1:3

DRAWING
No.

MF10/FA10

THIS PRINT IS CONFIDENTIAL AND IS THE PROPERTY OF MASTERGEAR. THIS PRINT SHALL NOT BE USED. COPIED OR REPRODUCED IN WHOLE OR IN PART NOR SHALL THE CONTENTS BE REVEALED IN ANY MANNER TO ANYONE UNLESS WRITTEN PERMISSION IS OBTAINED FROM MASTERGEAR.

NJC

REV. A
4/4/05