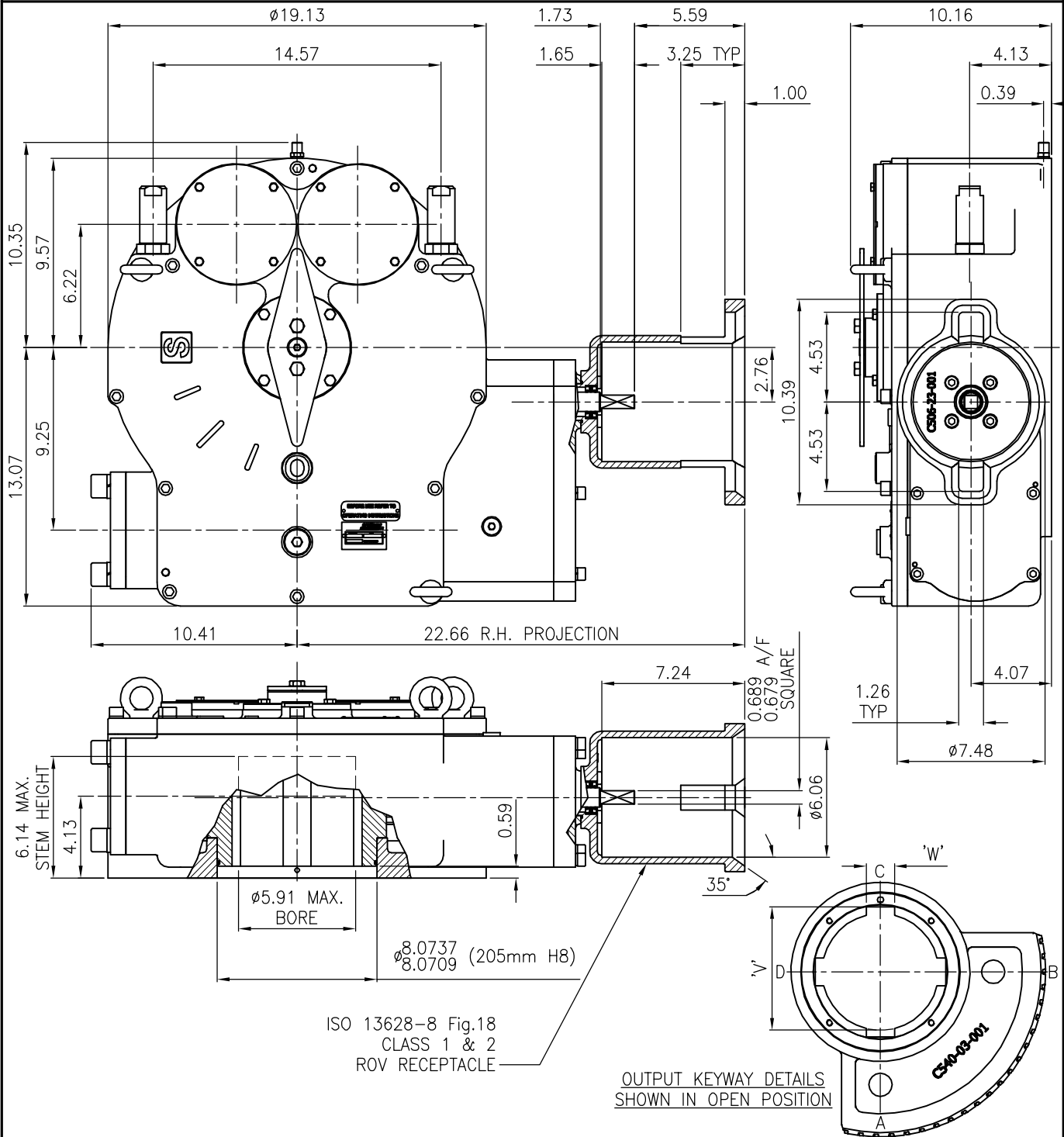


ACTUATOR: M40 SUBSEA (CLASS 1 & 2) SL150



TRAVEL 90° ±5° AT BOTH ENDS MECHANICAL ADVANTAGE 188.7± 10%
 RATIO 615:1 MAXIMUM OUTPUT TORQUE(1000 Cycles)..... 212300 lb.ins.
 TURNS TO CLOSE 153.75 MAXIMUM INPUT TORQUE..... 1125 lb.ins.

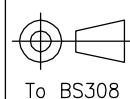
MOUNTING HOLE DETAIL (BSENISO 5211:2001)

PREFERRED F40 (8 x M36 ON 15.98" PCD) APPROXIMATE WEIGHT 578 lb.
 MAXIMUM F40 (8 x M36 ON 15.98" PCD) (OR 8 x M30 ON 17.32" PCD)
 MINIMUM F25 (8 x M16 ON 10.00" PCD)



OPPERMAN MASTERGEAR

Hambridge Lane, Newbury, Berkshire, RG14 5TS. ENGLAND
 Tel: 01635 811500 Fax: 01635 811501 E-Mail: sales@opperman-mastergear.co.uk



To BS308

DIMENSIONS
IN
MM [INCHES]

DATE	27Aug08
DRAWN	PAB
CHECKED	
SCALE	1:7

This drawing/design is the property of OPPERMAN MASTERGEAR Ltd. © and must not be used or copied without their specific written consent. Specifications may change without prior notification

DRG No. ME-16166-2-imp

REV. B