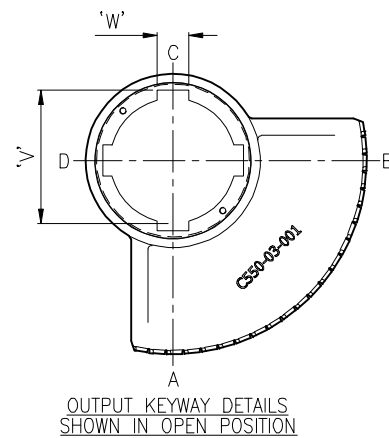
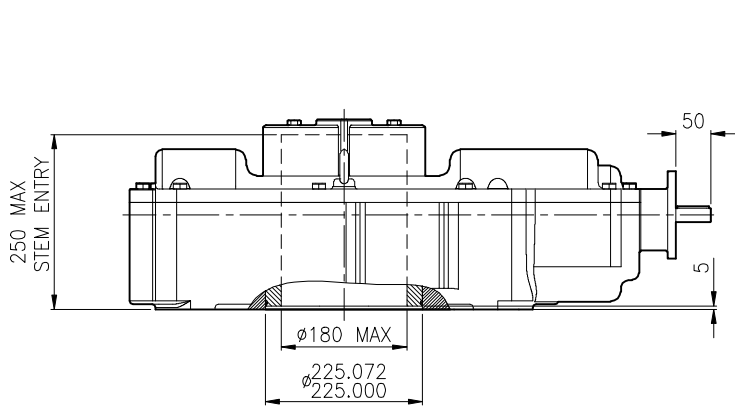
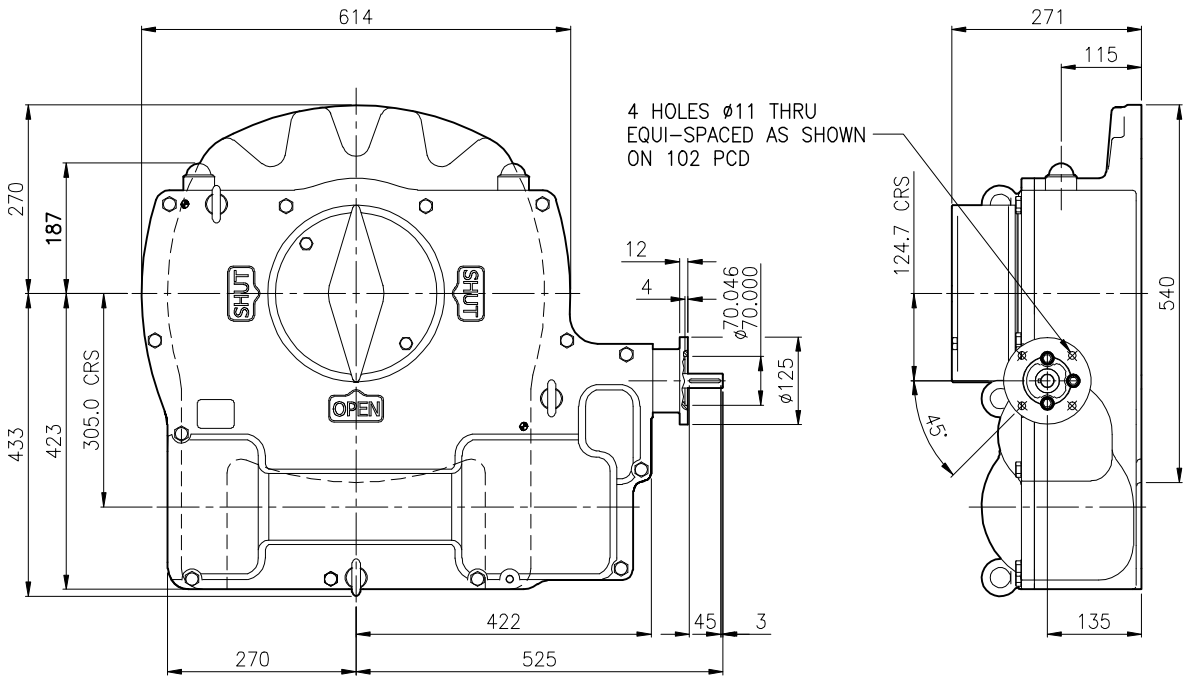


ACTUATOR: MF50/F10

SL039



TRAVEL 90° $\pm 5'$ AT BOTH ENDS
RATIO 1219.8:1
TURNS TO CLOSE 304.95
MECHANICAL ADVANTAGE ... 384.6 $\pm 10\%$

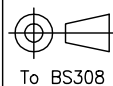
MAXIMUM OUTPUT TORQUE (1000 CYCLES)..... 50000 Nm
MAXIMUM OUTPUT TORQUE (5000 CYCLES)..... 41670 Nm
MAXIMUM INPUT TORQUE (1000 CYCLES)..... 130 Nm
MAXIMUM INPUT TORQUE (5000 CYCLES)..... 108 Nm

MOUNTING HOLE DETAIL (BSENISO 5211:2001)
PREFERRED F48 (12 x M36 on 483 PCD)
MAXIMUM F48 (12 x M36 on 483 PCD)
MINIMUM F25 (8 x M16 on 254 PCD)

APPROXIMATE WEIGHT 295.8 kg



OPPERMAN MASTERGEAR
Hambridge Lane, Newbury, Berkshire, RG14 5TS. ENGLAND
Tel: 01635 811500 Fax: 01635 811501 E-Mail: sales@opperman-mastergear.co.uk



DIMENSIONS
IN
MM [INCHES]

DATE	01Feb08
DRAWN	BJH
CHECKED	KDR
SCALE	1:9

This drawing/design is the property of OPPERMAN MASTERGEAR Ltd. © and must not be used or copied without their specific written consent. Specifications may change without prior notification

DRG No. ME-15451

REV. A