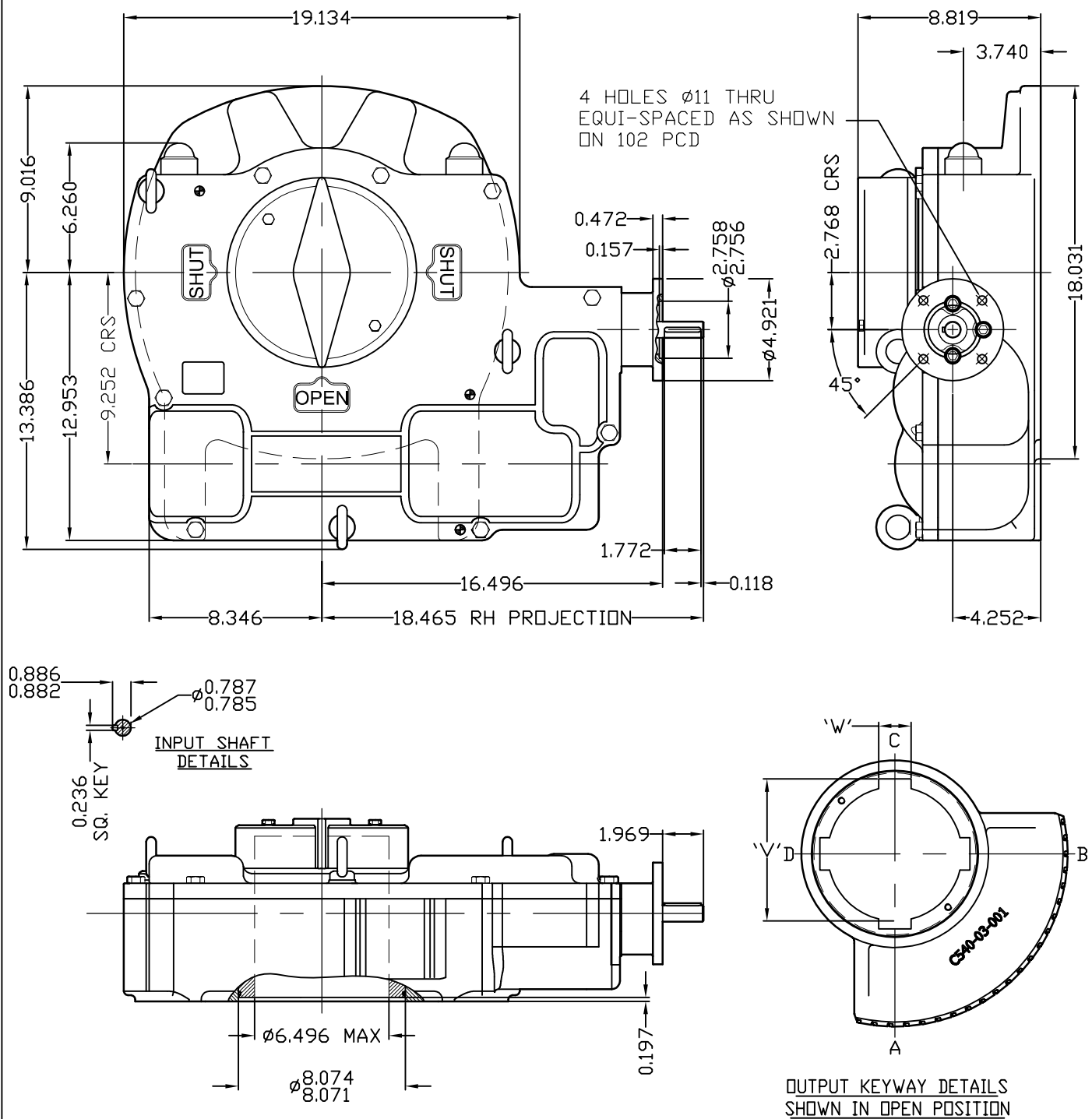


ACTUATOR: MF40/F10

SLO39



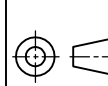
GENERAL INFORMATION

TRAVEL.....90° ±5° AT BOTH ENDS
RATIO.....615:1
TURNS TO CLOSE.....153.75

MECHANICAL ADVANTAGE.....188.7 ±10%
MAXIMUM OUTPUT TORQUE(2,500 CYCLES)..177702 IN-LBS
MAXIMUM INPUT TORQUE(2,500 CYCLES).....942 IN-LBS

MOUNTING HOLE DETAIL: PREFERRED.....FA40 (8 x 1 1/4-7 ON 16.00" BCD)
(MSS SP-101) MAXIMUM.....FA40
MINIMUM.....FA25 (8 x 5/8-11 ON 10.00" BCD)

APPROXIMATE WEIGHT.....403 LB



DIMENSIONS
IN
INCHES

SCALE
1:6

DRAWING
No.
MF40/F10

THIS PRINT IS CONFIDENTIAL AND IS THE PROPERTY OF MASTERGEAR. THIS PRINT SHALL NOT BE USED,
COPIED OR REPRODUCED IN WHOLE OR IN PART NOR SHALL THE CONTENTS BE REVEALED IN ANY
MANNER TO ANYONE UNLESS WRITTEN PERMISSION IS OBTAINED FROM MASTERGEAR.

GST

REV. A
5/19/09