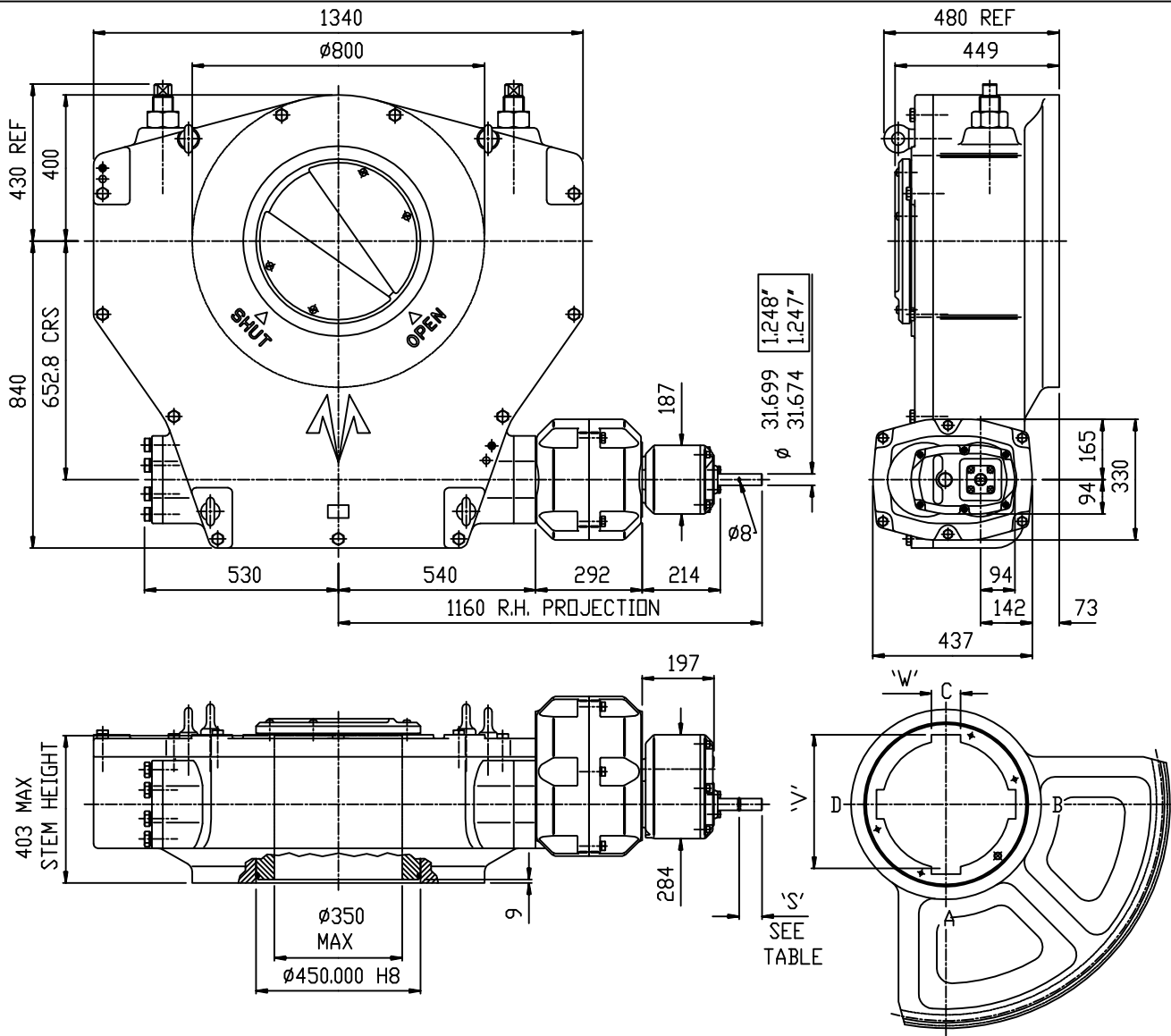


ACTUATOR TYPE - M200/DB9/D9



GENERAL INFORMATION

TRAVEL.....90° ±5° AT BOTH ENDS
 RATIO.....7077.5:1
 TURNS TO CLOSE.....1769.38

MECHANICAL ADVANTAGE.....1623.7 ±10%
 MAXIMUM OUTPUT TORQUE.....366410 Nm (MANUAL)
 MAXIMUM INPUT TORQUE.....226 Nm (MANUAL)

MOUNTING HOLE DETAIL: PREFERRED...F60 (20 × M36 DN 603 PCD)
 MAXIMUM.....F60
 MINIMUM.....F60

APPROXIMATE WEIGHT.....2310 Kg (excluding handwheel)

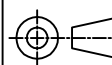
OUTPUT KEYWAY DETAILS SHOWN IN OPEN POSITION

HANDWHEEL DATA		
HANDWHEEL DIA		'S'
18"	457	45
24"	610	45
30"	762	45
36"	914	63



OPPERMAN MASTERGEAR

Hambridge Road, Newbury, Berkshire, RG14 5TS. ENGLAND
 Telephone: (01635) 811500 Telefax: (01635) 811501



DIMENSIONS IN

MM INCHES

SCALE

1:17

DRAWING No.

ME-15083

THIS DRAWING/DESIGN IS THE PROPERTY OF OPPERMAN MASTERGEAR LTD. © AND
 MUST NOT BE USED OR COPIED WITHOUT THEIR SPECIFIC WRITTEN CONSENT.

REV. B
 6/11/10