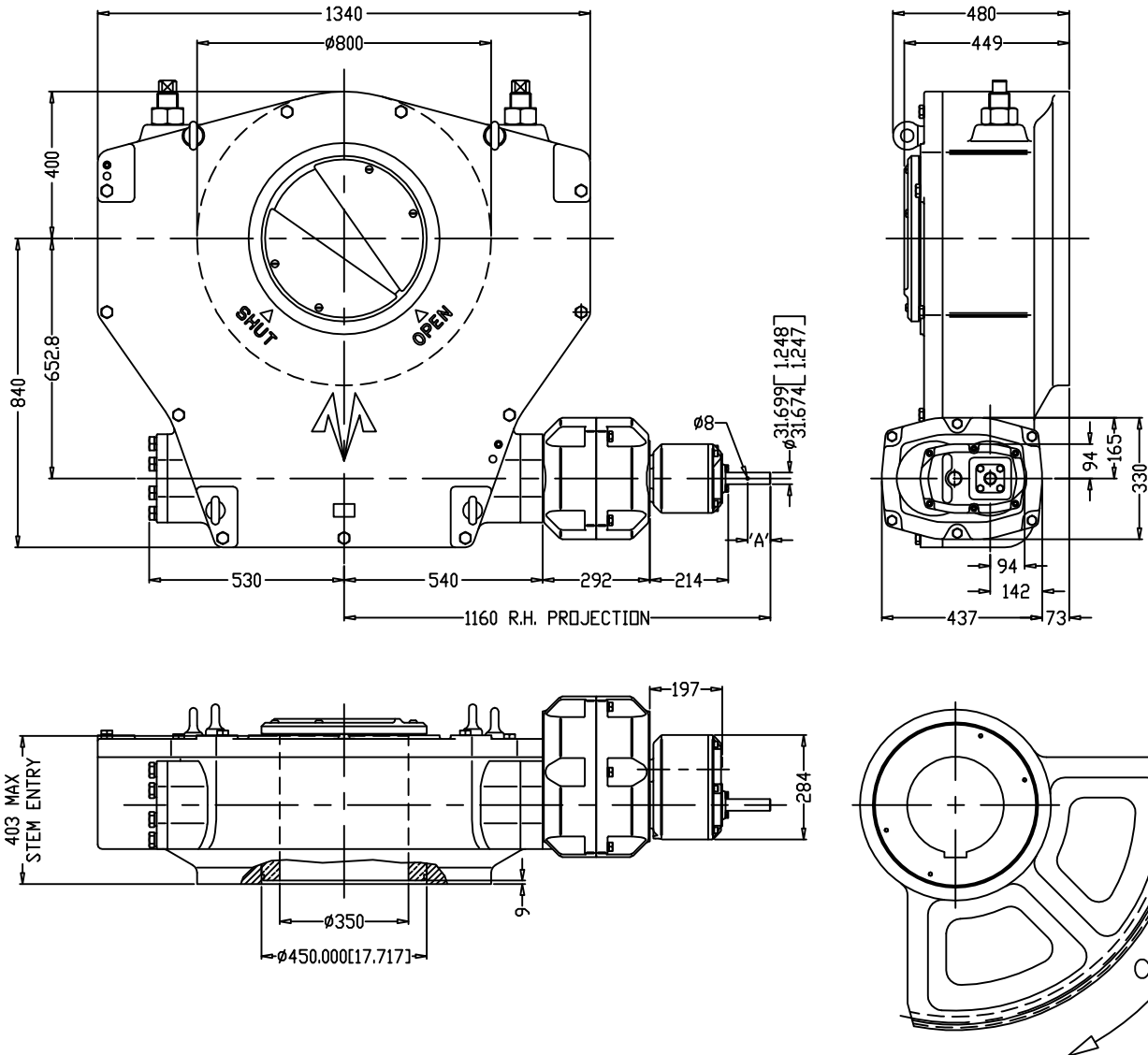


# ACTUATOR TYPE - M200/DB9/D9



## GENERAL INFORMATION

TRAVEL.....90° ±5° AT BOTH ENDS  
 RATIO.....7,077.5:1  
 TURNS TO CLOSE.....1,769.38

MECHANICAL ADVANTAGE.....1,623.7 ±10%  
 MAXIMUM OUTPUT TORQUE.....3,243,000 in-lbs (MANUAL)  
 MAXIMUM INPUT TORQUE.....1,624 in-lbs (MANUAL)

MOUNTING HOLE DETAIL: PREFERRED BOLT CIRCLE STRADDLING  $\bar{C}$ .....23.74" (F60)  
 MAXIMUM BOLT CIRCLE STRADDLING  $\bar{C}$ .....29.25"  
 MAXIMUM BOLT CIRCLE ON  $\bar{C}$ .....29.25"  
 MINIMUM BOLT CIRCLE .....20.00"

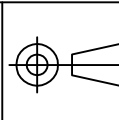
APPROXIMATE WEIGHT.....5,092.5 lbs (2310 kg)

OUTPUT KEYWAY DETAILS  
 SHOWN IN OPEN POSITION

HANDWHEEL DATA		
Ø	'A'	RIM PULL AT MAX. TORQUE
18"	1.75"	222 lbs
24"	1.75"	166 lbs
30"	1.75"	133 lbs
36"	1.75"	111 lbs
-	-	-
-	-	-
-	-	-



**MASTERGEAR**  
 DIVISION OF REGAL-BELOIT CORPORATION



DIMENSIONS  
 IN  
 MILLIMETERS

DO  
 NOT  
 SCALE

DRAWING  
 No.  
 ME 15083

THIS PRINT IS CONFIDENTIAL AND IS THE PROPERTY OF MASTERGEAR. THIS PRINT SHALL NOT BE USED, COPIED OR REPRODUCED IN WHOLE OR IN PART NOR SHALL THE CONTENTS BE REVEALED IN ANY MANNER TO ANYONE UNLESS WRITTEN PERMISSION IS OBTAINED FROM MASTERGEAR.

APPROVED BY  
 DDS

REV. C  
 6/16/10