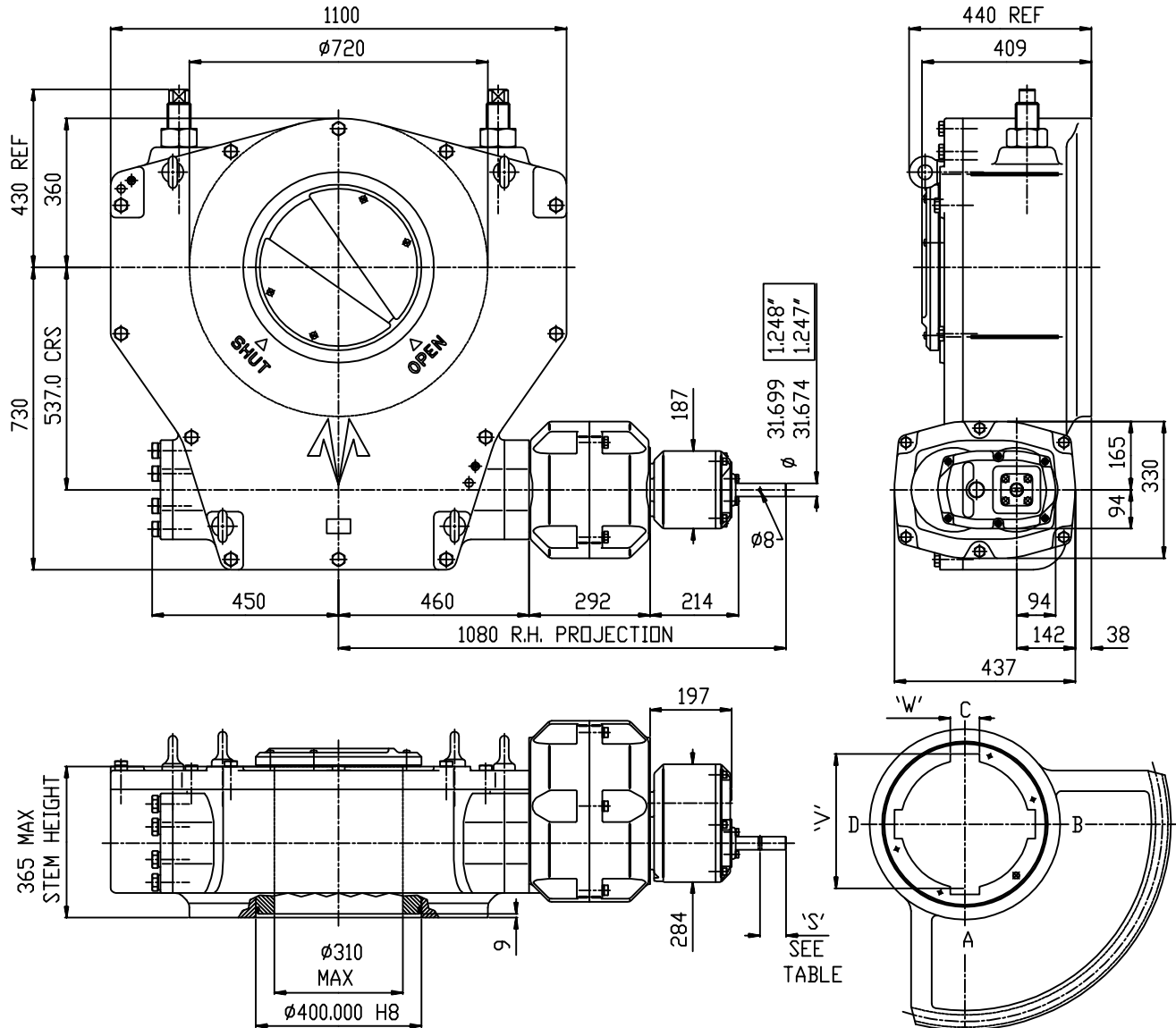


# ACTUATOR TYPE - M160/DB9/D9



## GENERAL INFORMATION

TRAVEL.....90° ±5° AT BOTH ENDS  
 RATIO.....5694.5:1  
 TURNS TO CLD.....1423.63

MECHANICAL ADVANTAGE.....1314.7 ±10%  
 MAXIMUM OUTPUT TORQUE.....308449 Nm (MANUAL)  
 MAXIMUM INPUT TORQUE.....235 Nm (MANUAL)

MOUNTING HOLE DETAIL: PREFERRED...F60 (20 x M36 DN 603 PCD)  
 MAXIMUM.....F60  
 MINIMUM.....F48 (12 x M36 DN 483 PCD)

APPROXIMATE WEIGHT.....1710 Kg (excluding handwheel)

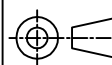
OUTPUT KEYWAY DETAILS SHOWN IN OPEN POSITION

HANDWHEEL DATA		
HANDWHEEL DIA		'S'
18"	457	45
24"	610	45
30"	762	45
36"	914	63



**OPPERMAN MASTERGEAR**

Hambridge Road, Newbury, Berkshire, RG14 5TS. ENGLAND  
 Telephone: (01635) 811500 Telefax: (01635) 811501



DIMENSIONS IN

MM INCHES

SCALE

1:15

DRAWING No.

ME-15081

THIS DRAWING/DESIGN IS THE PROPERTY OF OPPERMAN MASTERGEAR LTD. © AND  
 MUST NOT BE USED OR COPIED WITHOUT THEIR SPECIFIC WRITTEN CONSENT.

REV. B  
 6/11/10