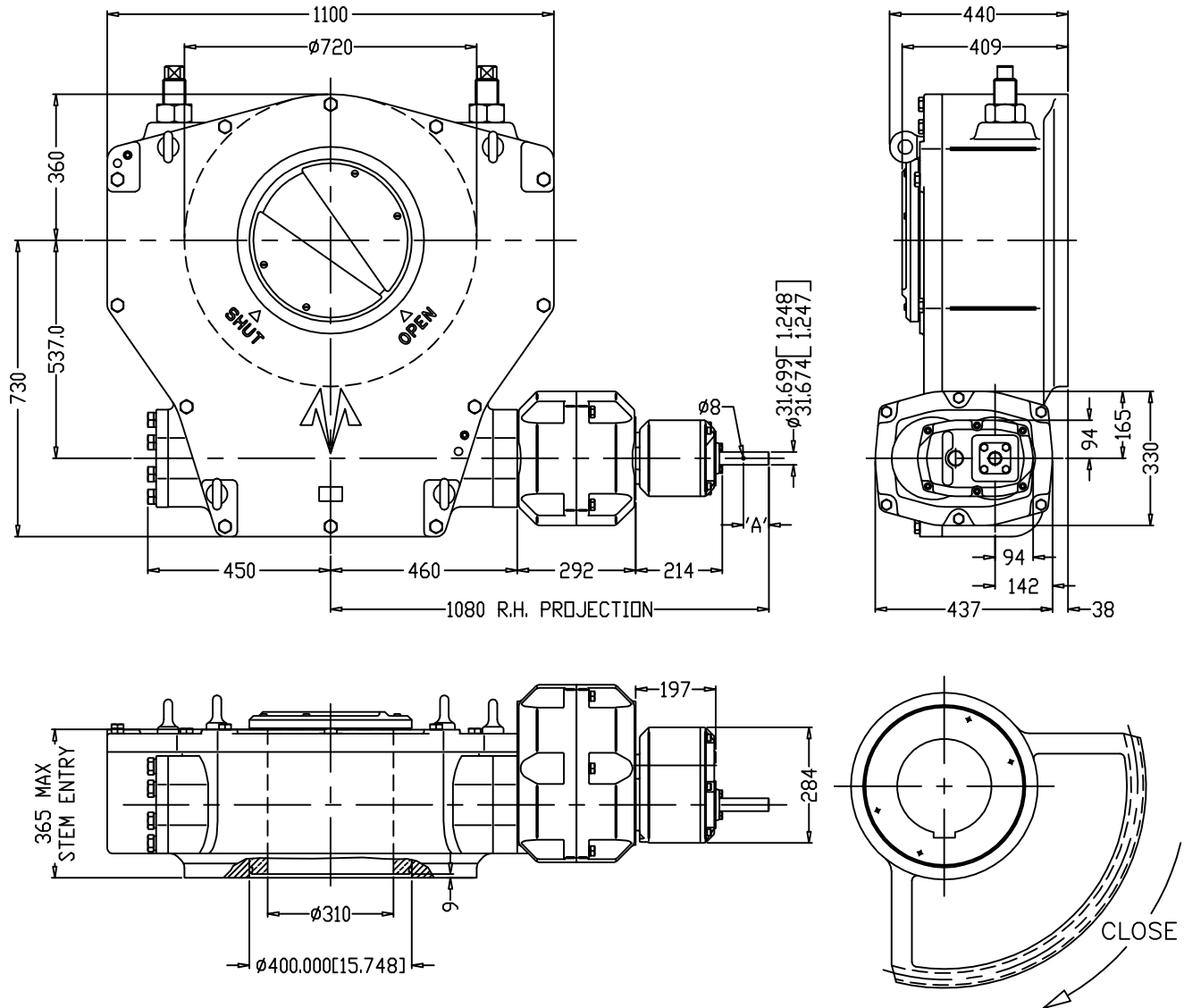


ACTUATOR TYPE - M160/DB9/D9



GENERAL INFORMATION

TRAVEL..... $90^\circ \pm 5^\circ$ AT BOTH ENDS
 RATIO.....5,694.5:1
 TURNS TO CLOSE.....1,423.63

MECHANICAL ADVANTAGE.....1,314.7 $\pm 10\%$
 MAXIMUM OUTPUT TORQUE.....2,730,000 in-lbs (MANUAL)
 MAXIMUM INPUT TORQUE.....2,077 in-lbs (MANUAL)

MOUNTING HOLE DETAIL: PREFERRED BOLT CIRCLE STRADDLING ϕ23.74" (F60)
 MAXIMUM BOLT CIRCLE STRADDLING ϕ26.00"
 MAXIMUM BOLT CIRCLE ON ϕ26.00"
 MINIMUM BOLT CIRCLE18.00"

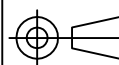
APPROXIMATE WEIGHT.....3,770 lbs (1710 kg)

OUTPUT KEYWAY DETAILS SHOWN IN OPEN POSITION

HANDWHEEL DATA		
ϕ	'A'	RIM PULL AT MAX. TORQUE
18"	1.75"	231 lbs
24"	1.75"	173 lbs
30"	1.75"	138 lbs
36"	1.75"	115 lbs
-	-	-
-	-	-
-	-	-



MASTERGEAR
 DIVISION OF REGAL-BELOIT CORPORATION



DIMENSIONS
IN
MILLIMETERS

DO
NOT
SCALE

DRAWING
No.
ME 15087

THIS PRINT IS CONFIDENTIAL AND IS THE PROPERTY OF MASTERGEAR. THIS PRINT SHALL NOT BE USED, COPIED OR REPRODUCED IN WHOLE OR IN PART NOR SHALL THE CONTENTS BE REVEALED IN ANY MANNER TO ANYONE UNLESS WRITTEN PERMISSION IS OBTAINED FROM MASTERGEAR.

APPROVED BY
DDS

REV. C
6/16/10