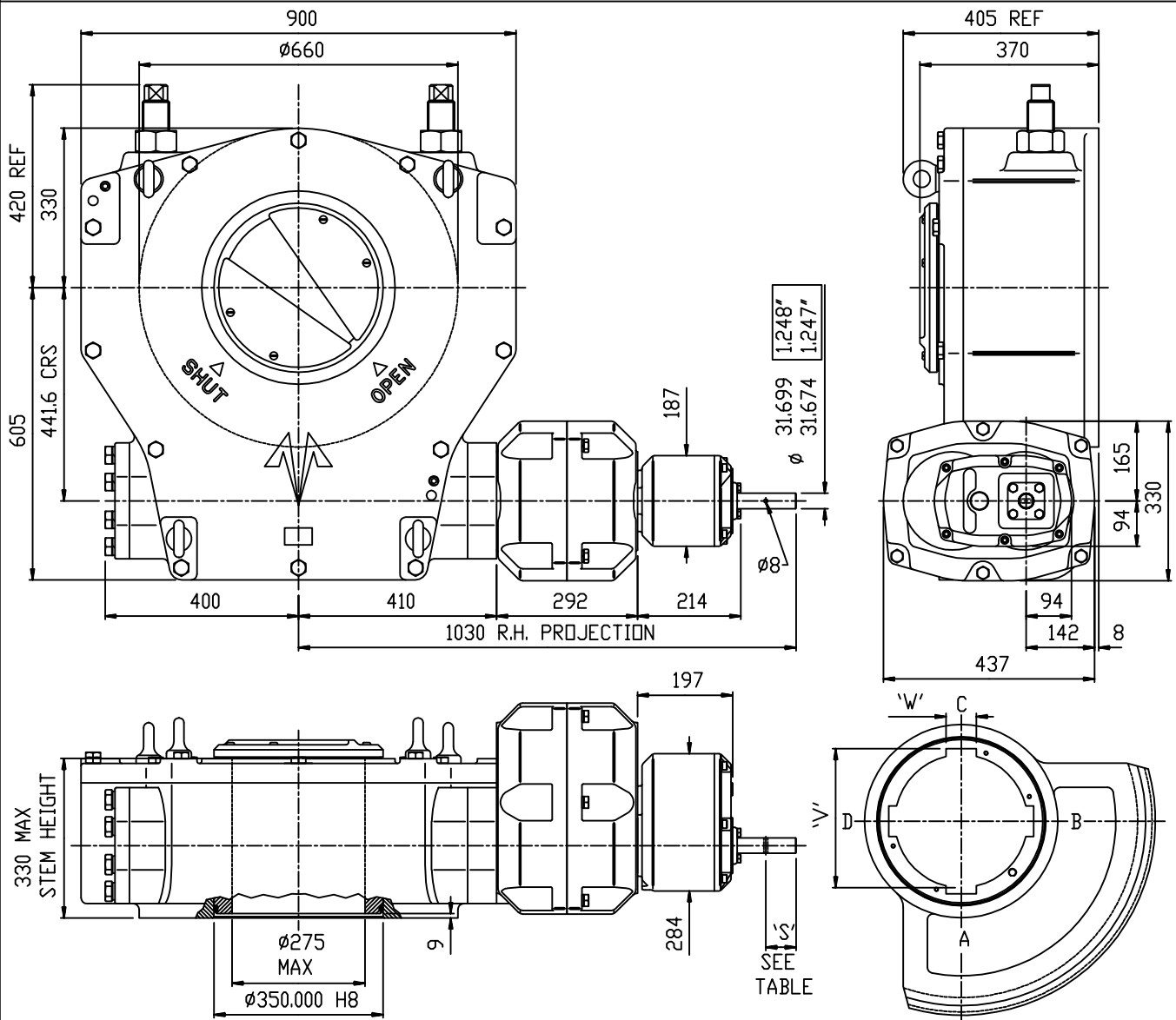


# ACTUATOR TYPE - M125/DB9/D9



## GENERAL INFORMATION

TRAVEL.....90° ±5° AT BOTH ENDS  
 RATIO.....4555.6:1  
 TURNS TO CLOSE.....1138.9

MECHANICAL ADVANTAGE.....1052.7 ±10%  
 MAXIMUM OUTPUT TORQUE.....260317 Nm (MANUAL)  
 MAXIMUM INPUT TORQUE.....247 Nm (MANUAL)

MOUNTING HOLE DETAIL: PREFERRED...F48 (12 x M36 ON 483 PCD)  
 MAXIMUM.....F48  
 MINIMUM.....F40 ( 8 x M36 ON 406 PCD)

APPROXIMATE WEIGHT.....1160 Kg (excluding handwheel)

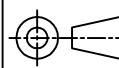
## OUTPUT KEYWAY DETAILS SHOWN IN OPEN POSITION

HANDWHEEL DATA		
HANDWHEEL DIA	'S'	
18"	457	45
24"	610	45
30"	762	45
36"	914	63



**OPPERMAN MASTERGEAR**

Hambridge Road, Newbury, Berkshire, RG14 5TS. ENGLAND  
 Telephone: (01635) 811500 Telefax: (01635) 811501



DIMENSIONS  
 IN  
 MM INCHES

SCALE  
 1:12.5

DRAWING  
 No.  
 ME-15077

THIS DRAWING/DESIGN IS THE PROPERTY OF OPPERMAN MASTERGEAR LTD. © AND  
 MUST NOT BE USED OR COPIED WITHOUT THEIR SPECIFIC WRITTEN CONSENT.

REV. C  
 6/11/10