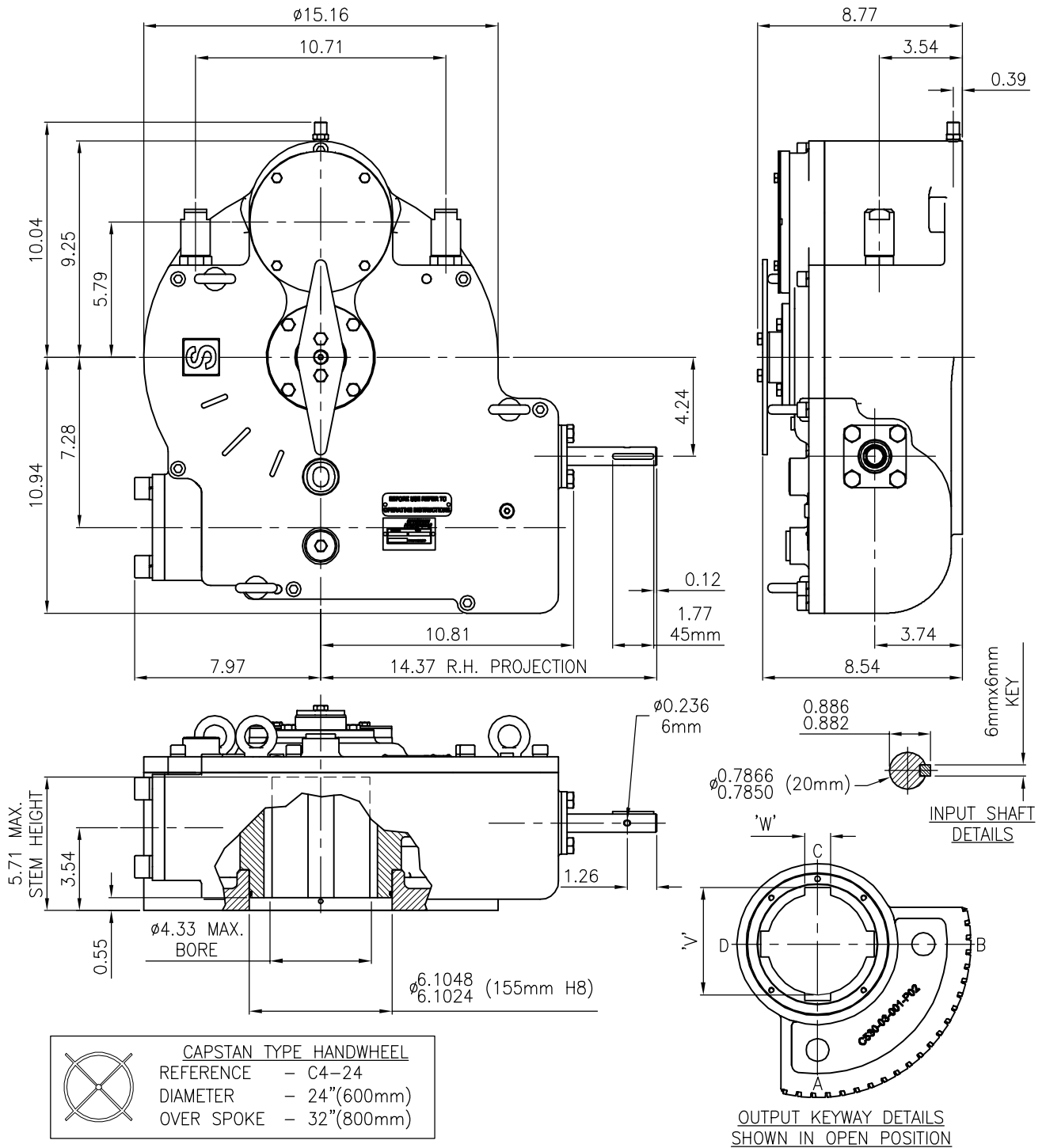


ACTUATOR: M30 SUBSEA

SL150



TRAVEL	90° ±5° AT BOTH ENDS	MECHANICAL ADVANTAGE	99.0 ± 10%
RATIO	309.1:1	MAXIMUM OUTPUT TORQUE(1000 Cycles)...	115000 lb.ins.
TURNS TO CLOSE	77.3	MAXIMUM INPUT TORQUE	1160 lb.ins.

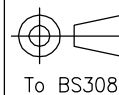
MOUNTING HOLE DETAIL (BSENISO 5211:2001)

PREFERRED	F30 (8 x M20 ON 11.73" PCD)	APPROXIMATE WEIGHT	287 lb.
MAXIMUM	(8 x M20 ON 14.02 PCD)		
MINIMUM	F20 (8 x M12 ON 7.76" PCD)		



OPPERMAN MASTERGEAR

Hambridge Lane, Newbury, Berkshire, RG14 5TS. ENGLAND
Tel: 01635 811500 Fax: 01635 811501 E-Mail: sales@opperman-mastergear.co.uk



To BS308

DIMENSIONS IN INCHES [mm]

DATE	19Aug08
DRAWN	PAB
CHECKED	
SCALE	1:6

This drawing/design is the property of OPPERMAN MASTERGEAR Ltd. © and must not be used or copied without their specific written consent. Specifications may change without prior notification

DRG No. ME-16163-imp

REV. A