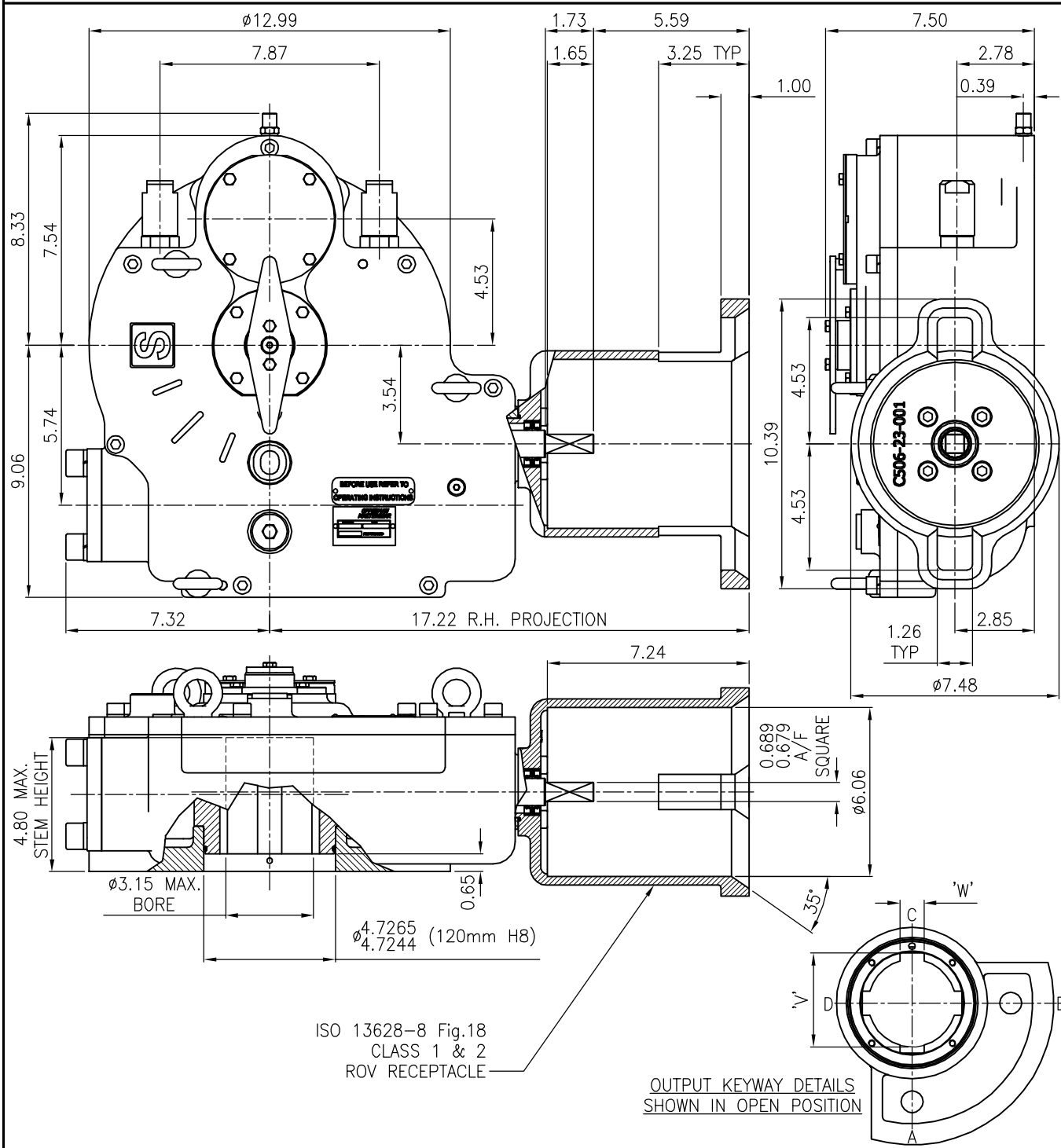


ACTUATOR: M20 SUBSEA (CLASS 1 & 2) SL150



TRAVEL 90° ±5° AT BOTH ENDS MECHANICAL ADVANTAGE 57.0 ± 10%

RATIO 183:1 MAXIMUM OUTPUT TORQUE(1000 Cycles). 70800 lb.ins.


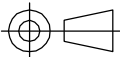
TURNS TO CLOSE 45.75 MAXIMUM INPUT TORQUE 1240 lb.ins.

MOUNTING HOLE DETAIL (ISO 5211)

PREFERRED F25 (8 x M16 ON 10.00" PCD) APPROXIMATE WEIGHT 203 lb.

MAXIMUM F30 (8 x M20 ON 11.73" PCD)

MINIMUM F16 (4 x M20 ON 6.50" PCD)

 OPPERMAN MASTERGEAR Hambridge Lane, Newbury, Berkshire, RG14 5TS. ENGLAND Tel: 01635 811500 Fax: 01635 811501 E-Mail: sales@opperman-mastergear.co.uk	 To BS308	DIMENSIONS IN MM [INCHES]	DATE	26Aug08
			DRAWN	PAB
			CHECKED	
			SCALE	1:5
This drawing/design is the property of OPPERMAN MASTERGEAR Ltd. © and must not be used or copied without their specific written consent. Specifications may change without prior notification			DRG No.	ME-16162-2-imp
			REV.	A