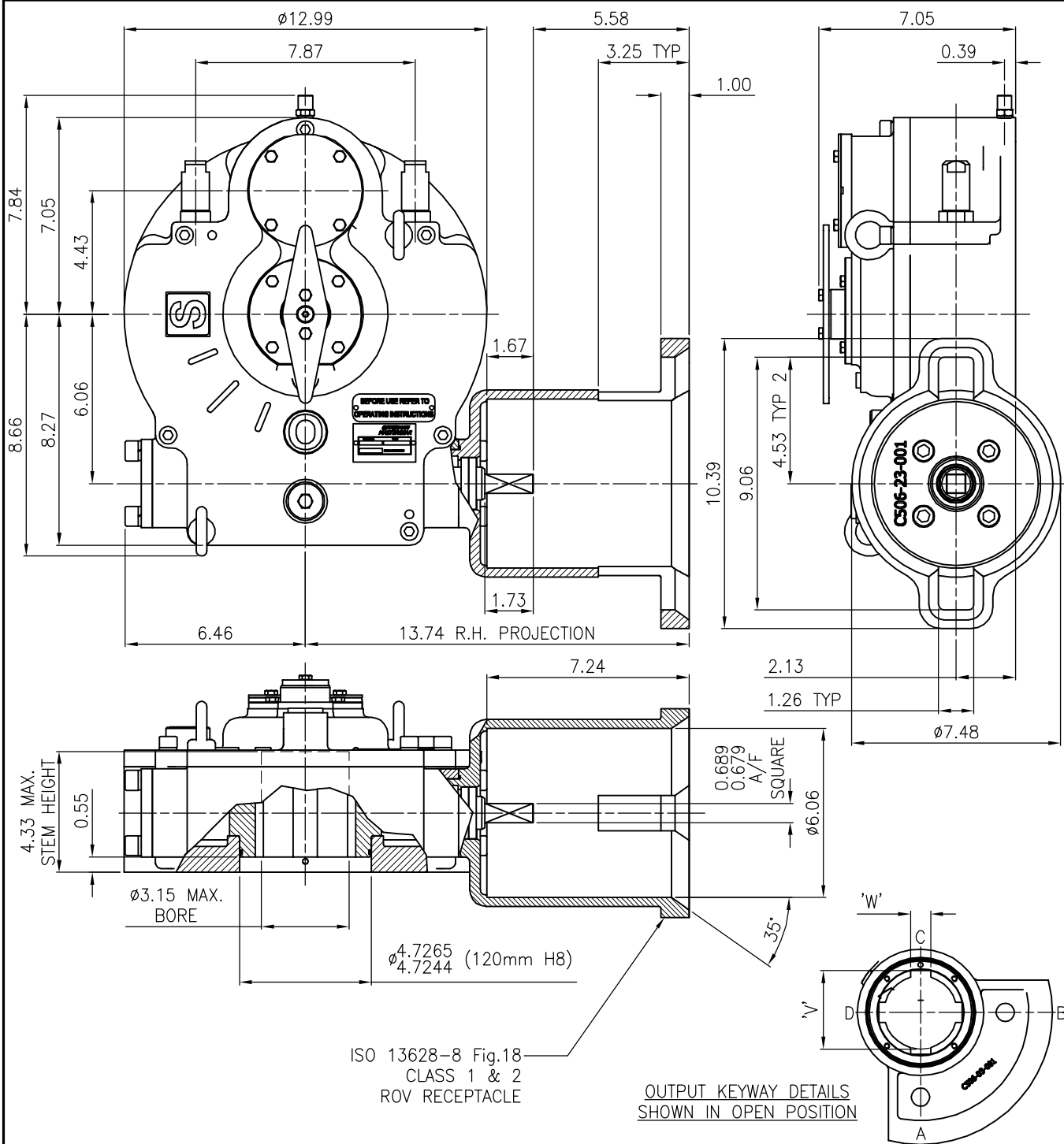



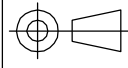
# ACTUATOR: M16 SUBSEA (CLASS 1 & 2) SL150



TRAVEL .....	90° ±5° AT BOTH ENDS	MECHANICAL ADVANTAGE .....	28.4 ± 10%
RATIO .....	88:1	MAXIMUM OUTPUT TORQUE(1000 Cycles)....	47800 lb.ins.
TURNS TO CLOSE .....	22	MAXIMUM INPUT TORQUE.....	1680 lb.ins.

**MOUNTING HOLE DETAIL (ISO 5211)**

PREFERRED .....	F25 (8 x M16 ON 10.0" PCD)	APPROXIMATE WEIGHT .....	151 lb.
MAXIMUM .....	F30 (8 x M20 ON 11.73 PCD)		
MINIMUM .....	F16 (4 x M20 ON 6.50" PCD)		

 <p><b>OPPERMAN MASTERGEAR</b> Hambridge Lane, Newbury, Berkshire, RG14 5TS. ENGLAND Tel: 01635 811500 Fax: 01635 811501 E-Mail: sales@opperman-mastergear.co.uk</p>	 To BS308	DIMENSIONS IN INCHES [MM]	DATE	20Aug08
			DRAWN	PAB
			CHECKED	
			SCALE	1:5
This drawing/design is the property of OPPERMAN MASTERGEAR Ltd. © and must not be used or copied without their specific written consent. Specifications may change without prior notification			DRG No.	ME-16160-2-imp
			REV.	A