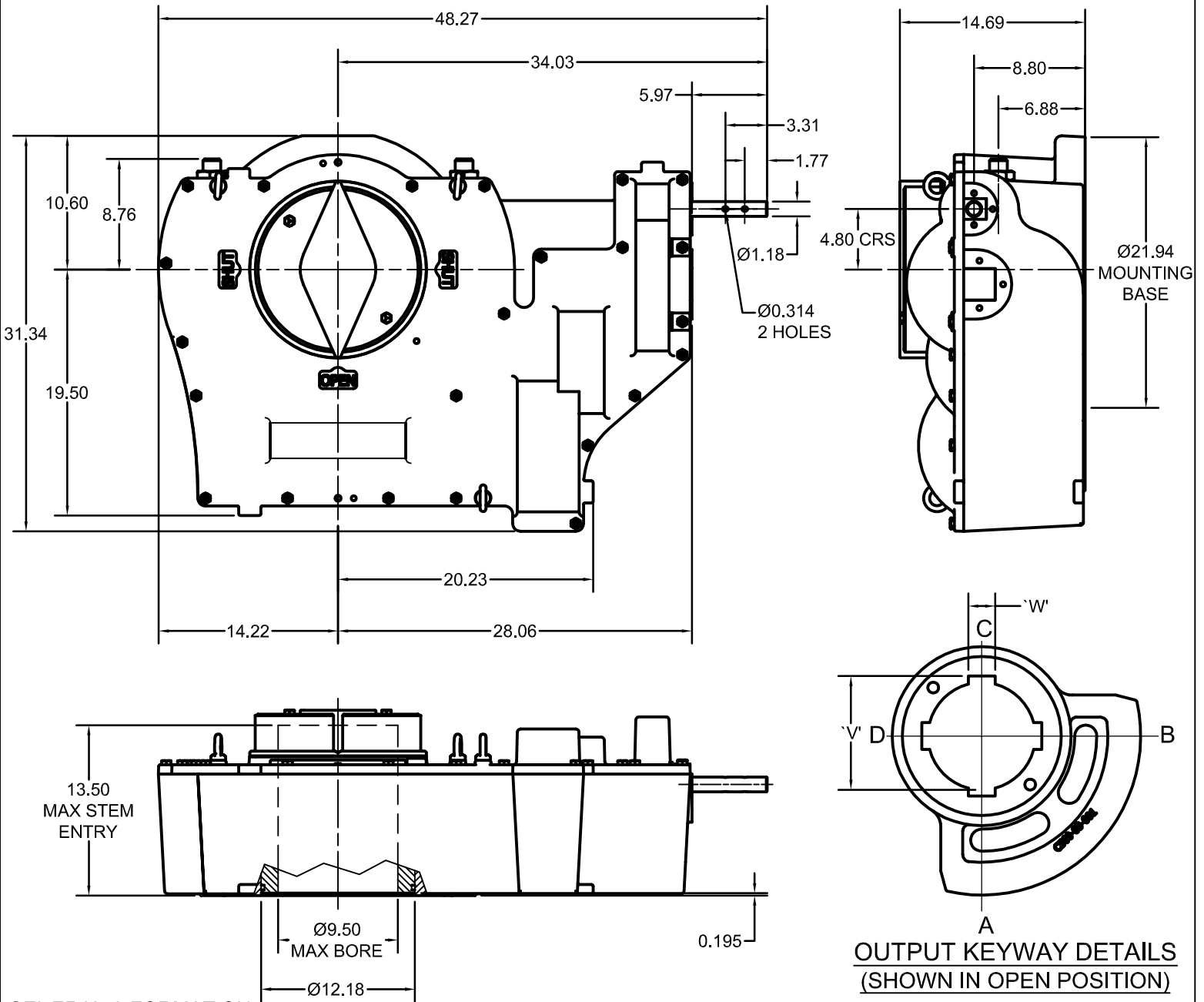


ACTUATOR: M70

SL039



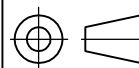
GENERAL INFORMATION

TRAVEL.....90° ±5° AT BOTH ENDS
 RATIO.....3407.8:1
 TURNS TO CLOSE.....851.96
 MECHANICAL ADVANTAGE...657.5 ±10%

MAXIMUM OUTPUT TORQUE(1000 CYCLES)....1,800,000 IN-LBS
 MAXIMUM OUTPUT TORQUE(2500 CYCLES)....1,500,000 IN-LBS
 MAXIMUM INPUT TORQUE(1000 CYCLES).....2,738 IN-LBS
 MAXIMUM INPUT TORQUE(2500 CYCLES).....2,282 IN-LBS

MOUNTING HOLE DETAIL: PREFERRED...FA48 (12 x 1 1/4 ON 19.00" BCD)
 (MSS SP-101) MAXIMUM.....FA48
 MINIMUM.....FA40 (8 x 1 1/4 ON 16.00" BCD)

APPROXIMATE WEIGHT.....1,754 LBS



DIMENSIONS
 IN
 INCHES

SCALE

1:12

DRAWING
 No.

M70

THIS PRINT IS CONFIDENTIAL AND IS THE PROPERTY OF MASTERGEAR. THIS PRINT SHALL NOT BE USED, COPIED OR REPRODUCED IN WHOLE OR IN PART NOR SHALL THE CONTENTS BE REVEALED IN ANY MANNER TO ANYONE UNLESS WRITTEN PERMISSION IS OBTAINED FROM MASTERGEAR.

NJC

REV. B

5/29/09